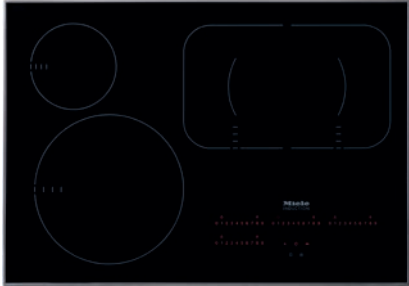


KM 6360

Induction Cooktop

with PowerFlex cooking area for maximum versatility and performance.



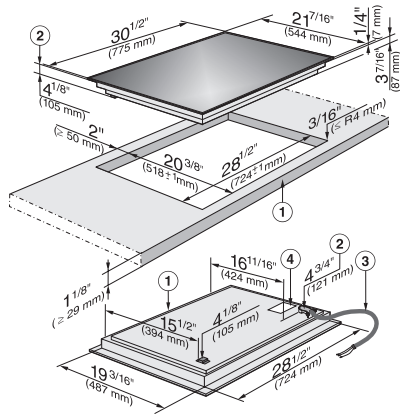
EAN: 4002515472910 / Material number: 09775890 /  
Old Material Number: 26636052USA

- Quick selection using numerical linear keybanks – Direct control plus
- Attractive design – 30 5/8 (775) in (mm) wide with stainless steel frame
- Versatile and fast – 4 cooking zones incl. 1 PowerFlex area
- Communication with the ventilation hood – automatic Con@ctivity function
- Broad performance spectrum – keep warm function and TwinBoost

KM 6360

Induction Cooktop

with PowerFlex cooking area for maximum versatility and performance.



KM 6360 (Installation drawing)

1) Front, 2) Casing depth, 3) Flexible metal Extension hose  
L = 47 1/4" (1200 mm), 4) Data plate