

DA 6596 D Puristic Canto

Island décor hood

with energy-efficient LED lighting and backlit controls for easy use.



- Timeless design – stainless steel canopy 35 3/8 (898) in (mm) wide
- Unique convenience – Con@ctivity 2.0
- Powerful – ?? in Booster level
- Efficient and beautiful – Multi-zone edge extraction
- Variable: edge vented panels made of glass or stainless steel

EAN: 4002515524817 / Material number: 09762240 /
Old Material Number: 28659655USA

| | |
|---|---------------------|
| Construction type and design | |
| Appliance colour | Stainless steel |
| Design | |
| Island ventilation hood | • |
| Operating modes | |
| Recirculated mode | Can be retrofitted |
| Recirculation conversion kit (order separately) | DUI 32 |
| OdorFree charcoal filter (order separately) | DKF 12-900 |
| Decor elements in glass (order separately) | DRP 6590D |
| Design | |
| Multi-zone edge extraction | • |
| User convenience | |
| Automatic function | Con@ctivity 2.0 |
| Electronic controls | • |
| Power levels (number excl. Intensive) | 3 |
| Booster levels | 1 |
| Programmable Intensive switch-off | • |
| Delayed shutdown for 5 or 15 minutes | • |
| Grease filter saturation indicator | • |
| Active charcoal filter saturation indicator | • |
| Acoustic package | • |
| Cleaning convenience | |
| Easy-to-clean canopy interior – CleanCover | • |
| Filter system | |
| Number of dishwasher-safe stainless steel grease filters (10-ply) | 3 |
| Lighting | |
| LED | • |
| Number x W | 4 x 3 W |
| Light intensity in lx | 540 lx |
| Color temperature in K | 3500 Kelvin |
| Blower | |
| Dual-action blower | • |
| AC motor | • |
| Exhaust air | |
| Air throughput | Values upon request |
| Safety | |
| Safety shut-off | • |
| Technical data | |
| Overall min. height for vented and external in in. (mm) | 27 1/4 (690) |
| Canopy width in in.(mm) | 35 3/8 (898) |
| Overall max. height for vented and external in in. (mm) | 39 (990) |
| Canopy height in in.(mm) | 2 7/8 (70) |
| Overall min. height for recirculation in in. (mm) | 29 5/8 (750) |
| Canopy depth in in.(mm) | 23 5/8 (598) |
| Overall max. height for recirculation in in. (mm) | 41 3/4 (1060) |
| Net weight in lbs. (kg) | 75 (34.0) |
| Hard-wired | • |

DA 6596 D Puristic Canto

Island décor hood

with energy-efficient LED lighting and backlit controls for easy use.



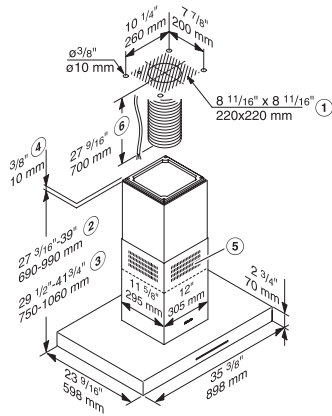
EAN: 4002515524817 / Material number: 09762240 /
Old Material Number: 28659655USA

| | |
|--|--------------|
| Minimum height above electric cooktops in mm | 24 1/8 (610) |
| Minimum safety distance above gas cooktops (max. 12.6 kW total power, burner ≤ 4.5 kW) in mm | 26 (660) |
| Number of phases | 1 |
| Total connected load in kW | 0.36 |
| Voltage in V | 120 |
| Fuse rating in A | 15 |
| Frequency in Hz | 60 |
| Installation note | |
| Vent connection at top | • |
| Diameter of vent connection in in.(mm) | 6 (150) |
| Telescopic chimney | • |
| Standard accessories | |
| Communication module for Con@ctivity XKM 2000 DA | XKS 3000 Z |
| Non-return flap | • |

DA 6596 D Puristic Canto

Island décor hood

with energy-efficient LED lighting and backlit controls for easy use.



DA 6596 D (Installation drawing)

1) Installation area/site, 2) Vented, 3) Recirculation, 4) Installation alternatively with spacer frame, 5) Ventilation grille positioned at the top for recirculation, 6) A supply lead, and for vented mode flexible vent ducting, must be pre-fitted for the connection in the ceiling to the connection of the cooker hood.