

KM 2355 LP

Gas cooktop

in maximum width for the best possible cooking and user convenience.



- Simple controls -single-handed operation via rotary dial control
- Modern design – 35 1/8 (892) in (mm) wide for flush-mounted installation
- Particularly versatile – 5 burners incl. 1 dual wok
- Extremely safe – GasStop function
- Easy cleaning – ComfortClean dishwasher-safe grates

EAN: 4002515301784 / Material number: 09456920 /
Old Material Number: 26235561USA

Heating type	
Fuel type	Gas
Design	
Independent of oven	•
Design	
Cast iron pot rests (matte black enameled)	•
Miele logo embossed in stainless steel	•
Flush-mounted stainless steel cooktop	•
Cooking zone details	
No. of rings	5
Gas burner power rating	
Small burner in kW	0.88
Small burner in BTU/h	3000
Normal burner in kW	1.76
Normal burner in BTU/h	6000
Large burner in kW	2.78
Large burner in BTU/h	9500
Dual wok burner in kW	4.40
Dual wok burner in BTU/h	15000
1st cooking zone/cooking area	
Position	front left
Type	Economy burner
2nd cooking zone/cooking area	
Position	rear left
Type	High-speed burner
3rd cooking zone/cooking area	
Position	Centered
Type	Dual wok burner
4th cooking zone/cooking area	
Position	rear right
Type	Standard burner
5th cooking zone/cooking area	
Position	front right
Type	Standard burner
User convenience	
Operation via knobs	•
Electronic ignition with one-handed operation	•
Cleaning convenience	
Dishwasher-safe trivets	•
Safety	
GasStop	•
Technical data	
Dimensions (H x W x D) in inches (mm)	
Dimensions (width) in in. (mm)	35 1/8 (892)
Dimensions (height) in in. (mm)	3 (75)
Dimensions in mm (depth)	20 1/4 (512)
Cut-out dimensions (W x D) with flush-fit installation in inches (mm)	880/892 x 500/512

KM 2355 LP

Gas cooktop

in maximum width for the best possible cooking and user convenience.



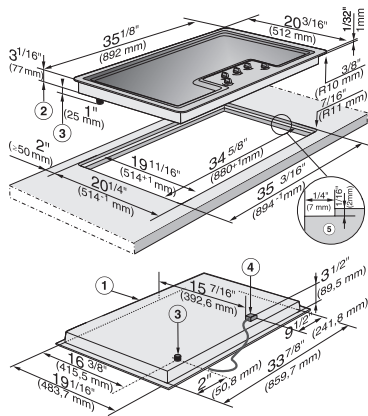
EAN: 4002515301784 / Material number: 09456920 /
Old Material Number: 26235561USA

Cutout dimensions (width) in in. (mm)	34 3/4 in (880 mm)
Cutout dimensions (depth) in in. (mm)	19 3/4 in (500 mm)
Casing height incl. connection box in mm	3 5/8 (90)
Internal cutout dimensions in mm (width) with flush installation	880
Internal cutout dimensions in mm (depth) with flush installation	500
Weight in lbs. (kg)	41 (19)
External cutout dimensions in mm (width) with flush installation	892
External cutout dimensions in mm (depth) with flush installation	512
Total connected load in kW	11.60
Power cord length in in. (m)	3 (1.2)
Position of gas connection	Hinten links
Voltage in V	120
Frequency in Hz	60
Standard accessories	
Power cord	Yes
Wok ring	•
Small trivet	•

KM 2355 LP

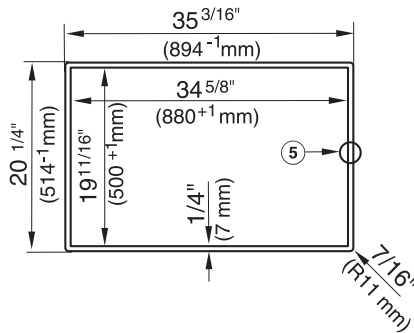
Gas cooktop

in maximum width for the best possible cooking and user convenience.



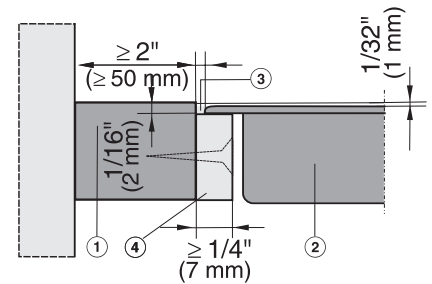
KM 2355 (Installation drawing)

1) Appliance front, 2) Installation height, 3) Power supply box with Connection cable, L = 4ft (1.2 m), 4) Gas connection, Building-in information:, Flush mounted gas cooktops are only suitable for installation in granite, marble, or tiled or solid Wood countertops., The cooktop must be accessible from below for servicing purposes and to ensure that the seal around it is not dislodged. As the ceramic glass and the countertop cut-out have a certain dimensional tolerances, the size of gap can vary.



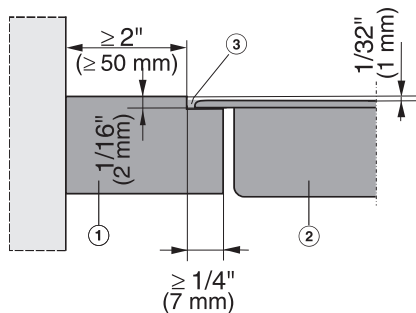
KM 2355 (Installation drawing) – Cut-outs for marble worktops – USA

5. Stepped cut-out, Building-in information:, Flush mounted gas cooktops are only suitable for installation in granite, marble, or tiled or solid Wood countertops., The cooktop must be accessible from below for servicing purposes and to ensure that the seal around it is not dislodged. As the ceramic glass and the countertop cut-out have a certain dimensional tolerances, the size of gap can vary.



KM 2355 (Installation drawing) – Installation in solid wood or tiled worktops – USA

1) Countertop, 2) Cooktop, 3) Gap, 4) Wooden Frame 1/4" (7 mm) (to be provided on site), Building-in information:, Flush mounted gas cooktops are only suitable for installation in granite, marble, tiled or solid wood countertops., The cooktop must be accessible from below for servicing purposes and to ensure that the seal around it is not dislodged., As the ceramic glass and the countertop cut-out have a certain dimensional tolerances, the size of gap can vary.



KM 2355 (Installation drawing) – Installation in granite and marble countertops – USA

1) Countertop, 2) Cooktop, 3) Gap, , Building-in information:, Flush mounted gas cooktops are only suitable for installation in granite, marble, tiled or solid wood countertops., The cooktop must be accessible from below for servicing purposes and to ensure that the seal around it is not dislodged., As the ceramic glass and the countertop cut-out have a certain dimensional tolerances, the size of gap can vary.