

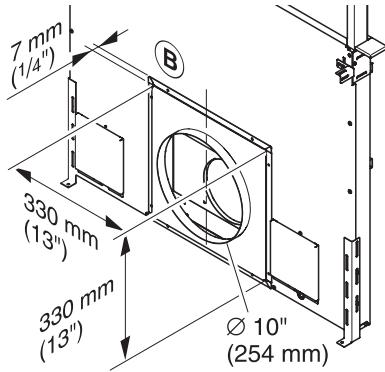
DAG 1000
External blower
additionally necessary for DA 68x1.

EAN: 4002514920177 / Material number: 07832530 / Old Material Number: 28996291USA



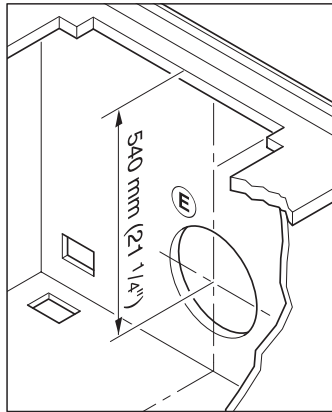
- The blower can be positioned in front of or behind the hood
- Vent connection 10" (254 mm) Ø

DAG 1000
External blower
additionally necessary for DA 68x1.



DA 6480 W, DA 6490 W, appliance measurements
(Installation drawing)

 = Connection plate when using the DAG 1000 external blower. The blower or the connection plate can also be mounted in the same position on the rear of the appliance., x = Distance to the rear of the cabinet or wall. Must be a minimum of 1/2" (13 mm).



DA 6480 W, DA 6490 W, Furniture measurements
(Installation drawings)

<E> Using the DAG 1000 external blower, install exhaust ducting to the rear (vent duct 10" ø (254 mm)). If installing the exhaust ducting to the front, appropriate clearances must be maintained in the cabinet.