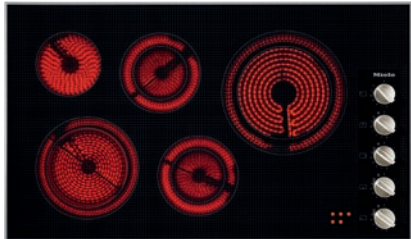


KM 5627 208V

36-inch electric cooktop, operated with its own controls  
with a width of 36 1/8 (915) in (mm) 36 1/8 (915) in (mm) for ultra-convenient cooking.



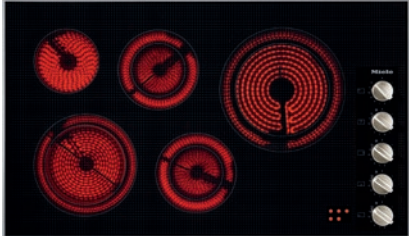
- Easy and direct controls – operation via knob controls
- Attractive design – 36 1/8 (915) in (mm) wide with stainless steel frame
- Versatile – 5 cooking zones
- Safe – residual heat indicator for every cooking zone

EAN: 4002514865942 / Material number: 07821710 /  
Old Material Number: 26562751USA

<b>Heating type</b>	
Fuel type	Electric
<b>Design</b>	
Independent of oven	•
<b>Design</b>	
Elegant glass ceramic surface	•
Ceramic surface colour	Black
Print design	Basalt grey decor
All-round stainless-steel frame	•
Proud installation	•
<b>Cooking zone details</b>	
No. of rings	5
<b>1st cooking zone/cooking area</b>	
Position	front left
Type	Variable cooking zone
Size in mm	Ø 180 / Ø 230
Max. rating in W	1600/2500
<b>2nd cooking zone/cooking area</b>	
Position	rear left
Type	Single-circuit ring
Size in mm	Ø 145
Max. rating in W	1200
<b>3rd cooking zone/cooking area</b>	
Position	rear center
Type	Variable cooking zone
Size in mm	Ø 120 / Ø 180
Max. rating in W	700/1800
<b>4th cooking zone/cooking area</b>	
Position	right
Type	Variable cooking zone
Size in mm	Ø 210 / Ø 270
Max. rating in W	2000/2700
<b>5th cooking zone/cooking area</b>	
Position	front center
Type	Variable cooking zone
Size in mm	Ø 120 / Ø 180
Max. rating in W	700/1800
<b>User convenience</b>	
Operation via touchpad sensors	Knob
Extended cooking zone	•
Operation via knobs	•
Display color	Red
<b>Efficiency and sustainability</b>	
Residual heat utilisation	•
<b>Cleaning convenience</b>	
Easy to clean ceramic glass	•
<b>Safety</b>	
Overheating protection	•

KM 5627 208V

36-inch electric cooktop, operated with its own controls  
with a width of 36 1/8 (915) in (mm) 36 1/8 (915) in (mm) for ultra-convenient cooking.



EAN: 4002514865942 / Material number: 07821710 /

Old Material Number: 26562751USA

Residual heat indicator

•

#### Technical data

Dimensions (H x W x D) in inches (mm)

Dimensions (width) in in. (mm) 36 1/8 (915)

Dimensions (height) in in. (mm) 3 1/4 (81)

Dimensions in mm (depth) 21 1/2 (544)

Cutout dimensions (width) in in. (mm) 34 1/2 (876) in (mm)

Cutout dimensions (depth) in in. (mm) 20 1/2 (518) in (mm)

Casing height incl. connection box in mm 3 (75)

Weight in lbs. (kg) 41 (19)

Total connected load in kW 10.00

Power cord length in in. (m) 4 (1.4)

Voltage in V 208

Frequency in Hz 60

#### Standard accessories

Razor-blade scraper

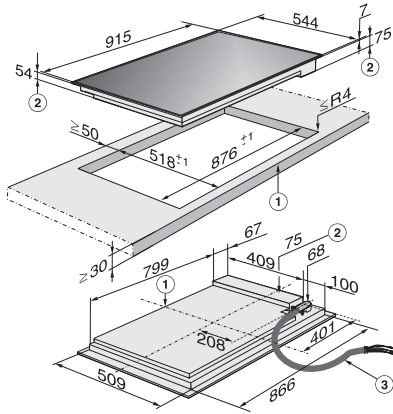
•

Power cord

Yes

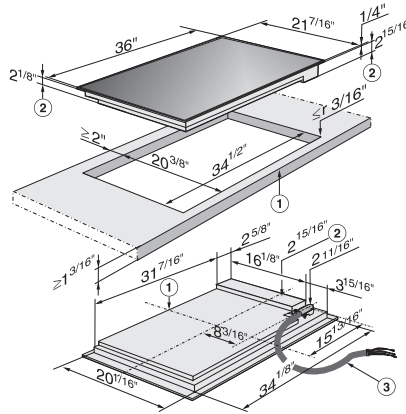
KM 5627 208V

36-inch electric cooktop, operated with its own controls  
with a width of 36 1/8 (915) in (mm) 36 1/8 (915) in (mm) for ultra-convenient cooking.



KM 5627 (Installation drawing)

1. Front, 2. Building-in depth, 3. Flexible metal hose, L = 1200 mm



KM 5627 (Installation drawing)

1. Front, 2. Building-in depth, 3. Flexible metal hose, L = 47 1/4"