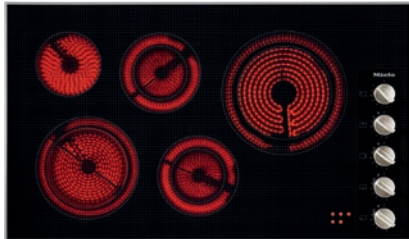


KM 5627 240V

36-inch electric cooktop, operated with its own controls  
with a width of 36 1/8 (915) in (mm) 36 1/8 (915) in (mm) for ultra-convenient cooking.



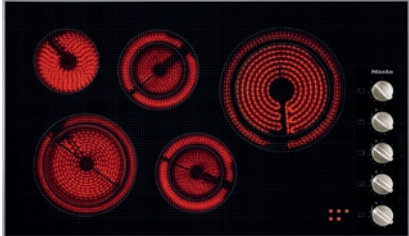
- Easy and direct controls – operation via knob controls
- Attractive design – 36 1/8 (915) in (mm) wide with stainless steel frame
- Versatile – 5 cooking zones
- Safe – residual heat indicator for every cooking zone

EAN: 4002514865935 / Material number: 07821700 /  
Old Material Number: 26562750USA

|                                      |                       |
|--------------------------------------|-----------------------|
| <b>Heating type</b>                  |                       |
| Fuel type                            | Electric              |
| <b>Design</b>                        |                       |
| Independent of oven                  | •                     |
| <b>Design</b>                        |                       |
| Elegant glass ceramic surface        | •                     |
| Ceramic surface colour               | Black                 |
| Print design                         | Basalt grey decor     |
| All-round stainless-steel frame      | •                     |
| Proud installation                   | •                     |
| <b>Cooking zone details</b>          |                       |
| No. of rings                         | 5                     |
| <b>1st cooking zone/cooking area</b> |                       |
| Position                             | front left            |
| Type                                 | Variable cooking zone |
| Size in mm                           | Ø 180 / Ø 230         |
| Max. rating in W                     | 1600/2500             |
| <b>2nd cooking zone/cooking area</b> |                       |
| Position                             | rear left             |
| Type                                 | Single-circuit ring   |
| Size in mm                           | Ø 145                 |
| Max. rating in W                     | 1200                  |
| <b>3rd cooking zone/cooking area</b> |                       |
| Position                             | rear center           |
| Type                                 | Variable cooking zone |
| Size in mm                           | Ø 120 / Ø 180         |
| Max. rating in W                     | 700/1800              |
| <b>4th cooking zone/cooking area</b> |                       |
| Position                             | right                 |
| Type                                 | Variable cooking zone |
| Size in mm                           | Ø 210 / Ø 270         |
| Max. rating in W                     | 2000/3100             |
| <b>5th cooking zone/cooking area</b> |                       |
| Position                             | front center          |
| Type                                 | Variable cooking zone |
| Size in mm                           | Ø 120 / Ø 180         |
| Max. rating in W                     | 700/1800              |
| <b>User convenience</b>              |                       |
| Operation via touchpad sensors       | Knob                  |
| Extended cooking zone                | •                     |
| Operation via knobs                  | •                     |
| Display color                        | Red                   |
| <b>Efficiency and sustainability</b> |                       |
| Residual heat utilisation            | •                     |
| <b>Cleaning convenience</b>          |                       |
| Easy to clean ceramic glass          | •                     |
| <b>Safety</b>                        |                       |
| Overheating protection               | •                     |

KM 5627 240V

36-inch electric cooktop, operated with its own controls  
with a width of 36 1/8 (915) in (mm) 36 1/8 (915) in (mm) for ultra-convenient cooking.



EAN: 4002514865935 / Material number: 07821700 /  
Old Material Number: 26562750USA

Residual heat indicator

•

#### Technical data

Dimensions (H x W x D) in inches (mm)

Dimensions (width) in in. (mm) 36 1/8 (915)

Dimensions (height) in in. (mm) 3 1/4 (81)

Dimensions in mm (depth) 21 1/2 (544)

Cutout dimensions (width) in in. (mm) 34 1/2 in (876 mm)

Cutout dimensions (depth) in in. (mm) 20 1/2 in (518 mm)

Casing height incl. connection box in mm 3 (75)

Weight in lbs. (kg) 41 (19)

Total connected load in kW 10.40

Power cord length in in. (m) 4 (1.4)

Voltage in V 240

Frequency in Hz 60

#### Standard accessories

Razor-blade scraper

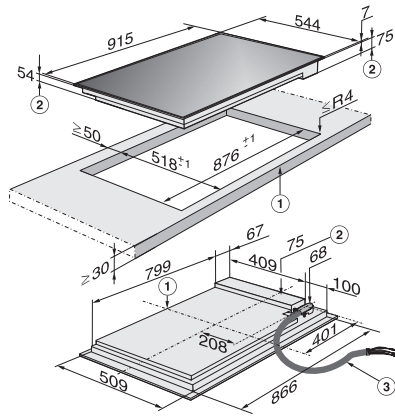
•

Power cord

Yes

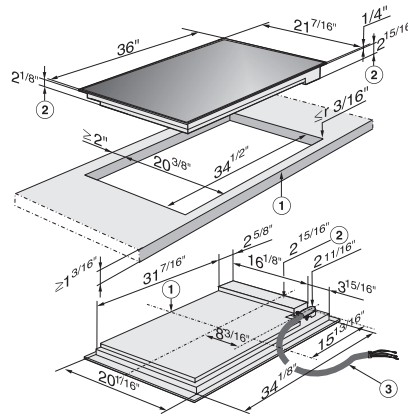
## KM 5627 240V

36-inch electric cooktop, operated with its own controls with a width of 36 1/8 (915) in (mm) 36 1/8 (915) in (mm) for ultra-convenient cooking.



KM 5627 (Installation drawing)

1. Front, 2. Building-in depth, 3. Flexible metal hose, L = 1200 mm



KM 5627 (Installation drawing)

1. Front, 2. Building-in depth, 3. Flexible metal hose, L = 47 1/4"