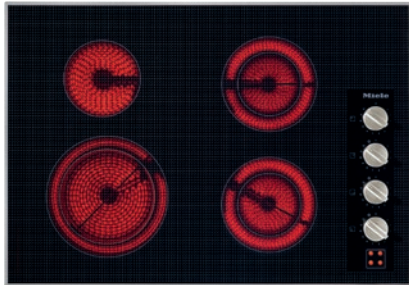


KM 5624 240V

30-inch electric cooktop, operated with its own controls  
with a width of 30 5/8 (775) in (mm) 30 5/8 (775) in (mm) for ultra-convenient cooking.



- Easy and direct controls – operation via knob controls
- Attractive design – 30 5/8 (775) in (mm) wide with stainless steel frame
- Versatile – 4 cooking zones
- Safe – residual heat indicator for every cooking zone

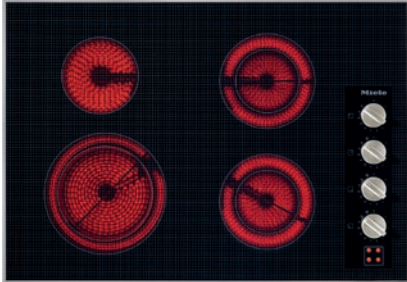
EAN: 4002514865911 / Material number: 07821680 /  
Old Material Number: 26562450USA

<b>Heating type</b>	
Fuel type	Electric
<b>Design</b>	
Independent of oven	•
<b>Design</b>	
Elegant glass ceramic surface	•
Ceramic surface colour	Black
Print design	Basalt grey decor
All-round stainless-steel frame	•
Proud installation	•
<b>Cooking zone details</b>	
No. of rings	4
<b>1st cooking zone/cooking area</b>	
Position	front left
Type	Variable cooking zone
Size in mm	Ø 180 / Ø 230
Max. rating in W	1600/2500
<b>2nd cooking zone/cooking area</b>	
Position	rear left
Type	Single-circuit ring
Size in mm	Ø 145
Max. rating in W	1200
<b>3rd cooking zone/cooking area</b>	
Position	rear right
Type	Variable cooking zone
Size in mm	Ø 120 / Ø 180
Max. rating in W	700/1800
<b>4th cooking zone/cooking area</b>	
Position	front right
Type	Variable cooking zone
Size in mm	Ø 120 / Ø 180
Max. rating in W	700/1800
<b>User convenience</b>	
Extended cooking zone	•
Operation via knobs	•
Display color	Red
<b>Efficiency and sustainability</b>	
Residual heat utilisation	•
<b>Cleaning convenience</b>	
Easy to clean ceramic glass	•
<b>Safety</b>	
Overheating protection	•
Residual heat indicator	•
<b>Technical data</b>	
Dimensions (H x W x D) in inches (mm)	
Dimensions (width) in in. (mm)	30 5/8 (775)
Dimensions (height) in in. (mm)	3 1/4 (81)
Dimensions in mm (depth)	21 1/2 (544)

KM 5624 240V

30-inch electric cooktop, operated with its own controls

with a width of 30 5/8 (775) in (mm) 30 5/8 (775) in (mm) for ultra-convenient cooking.



EAN: 4002514865911 / Material number: 07821680 /

Old Material Number: 26562450USA

Cutout dimensions (width) in in. (mm)	28 5/8 in (724 mm)
Cutout dimensions (depth) in in. (mm)	20 1/2 in (518 mm)
Casing height incl. connection box in mm	3 (75)
Weight in lbs. (kg)	35 (16)
Total connected load in kW	7.30
Power cord length in in. (m)	4 (1.4)
Voltage in V	240
Frequency in Hz	60

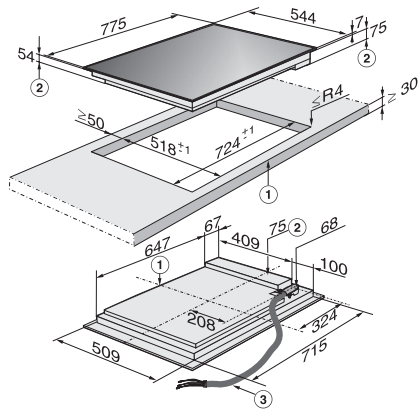
#### Standard accessories

Razor-blade scraper	•
Power cord	Yes

## KM 5624 240V

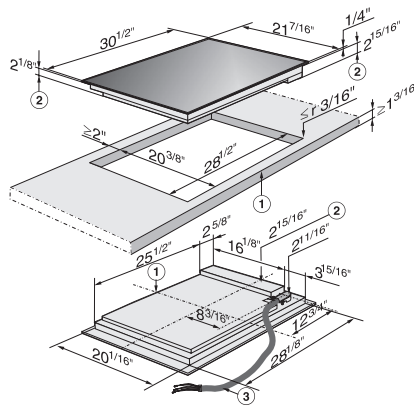
30-inch electric cooktop, operated with its own controls

with a width of 30 5/8 (775) in (mm) 30 5/8 (775) in (mm) for ultra-convenient cooking.



KM 5624 (Installation drawing)

1. Front, 2. Building-in depth, 3. Flexible metal hose, L = 1200 mm



KM 5624 (Installation drawing)

1. Front, 2. Building-in depth, 3. Flexible metal hose, L = 47 1/4 inches