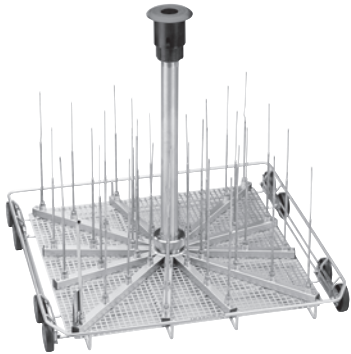


E 331  
Mobile unit  
for the optimum loading of butyrometers.



- equipped with 39 injector nozzles

EAN: 4002511116115 / Material number: 03809350 / Old Material Number: 69533101D

<b>Product category</b>	
Washer-disinfectors, laboratory	•
<b>Machine affiliation</b>	
PG 8535	•
PG 8536	•
<b>Product category</b>	
Other mobile units	•
<b>Product characteristics</b>	
Material	Stainless steel
Color	Stainless Steel
<b>Application area</b>	
Reprocessing of laboratory glassware	•
Reprocessing of butyrometers	•
<b>Capacity</b>	
Butyrometers [number]	39
<b>Standard electrical connection</b>	
Number of phases	0
Voltage in V	0
Frequency in Hz	0
Total rated load in kW	0.00
Fuse rating in A	0
<b>Dimensions and weight</b>	
External dimensions, net height in inches	502
External dimensions, net width in inches	535
External dimensions, net depth in inches	517
External dimensions, gross height in inches	19 11/16 (500)
External dimensions, gross width in inches	21 5/16 (540)
External dimensions, gross depth in inches	20 7/8 (530)
Net weight in lbs	12 (5.20)
Gross weight in lbs	16 (7.10)
<b>Companion pack</b>	
SD-B injector nozzle for butyrometer [number]	39
Rinse nozzle for powder dispenser [number]	1