

KM 8695-2 FL

Induction hob with onset controls

936 mm | Full-surface | M Sense ready



- Full-surface induction for up to 6 items of cookware
- Precise settings via 6 MultiSlide sliders including intelligent networking
- Prepared for cooking and frying assistance with M Sense cookware – M Sense ready
- Shortest heat-up times thanks to Booster level
- A width of 936 mm for surface-mounted or flush-fit installation

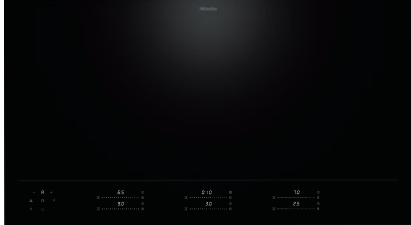
EAN: 4002516975595 / Material number: 12948330 /
Old Material Number: 26186954GB

General information	
Model identifier	KM 8695-2 FL
Manufacturer material number	12948330
EAN number	4002516975595
Marketing class	Platinum
Heating type	
Heating type	Induction
Construction type	
Independent of cooker	•
Design	
Elegant glass ceramic surface	•
Ceramic surface colour	Black
Flush	•
Surface-mounted installation	•
Cooking zone details	
Number of cooking zones	1
Number of cooking areas	1
Maximum number of pans	6
1st cooking zone/cooking area	
Position	Can be selected freely
Type	Full area
Size in mm	870x380
Max. rating in W	2600
Max. Booster power rating in W	3650
User convenience	
Networking with Miele@home	•
Con@ctivity	•
Pan and pan size recognition	•
M Sense ready	•
Operation via sensor controls	MultiSlide
Display colour	White
Intelligent pan recognition	•
Professional mode	•
Stop & Go function	•
Wipe protection	•
Recall function	•
Minute minder	•
Safety switch-off	•
Auto heat-up	•
Keeping warm	•
Individual setting options (e.g. buzzers)	•
Assistance programmes	•
Efficiency and sustainability	
Power rating in off mode in W	0.3
Power rating in standby mode in W	0.8
Power rating in networked standby in W	2.0
Time until automatic switch to off mode in min	10
Time until automatic switch to standby in min	10

KM 8695-2 FL

Induction hob with onset controls

936 mm | Full-surface | M Sense ready



EAN: 4002516975595 / Material number: 12948330 /

Old Material Number: 26186954GB

Time until automatic switch to networked standby in min 10

Cleaning and care

Easy to clean ceramic glass

•

Safety

Safety switch-off

•

Lock function

•

System lock

•

Integrated cooling fan

•

Overheating protection

•

Residual heat indicator

•

Technical data

Dimensions (H x W x D) in mm 51 x 936 x 520

Dimensions (W x D) in mm 936 x 51 x 520

Dimensions in mm (width) 936

Dimensions in mm (height) 51

Dimensions in mm (depth) 520

Cut-out dimensions (W x D) with surface-mounted installation in mm 916 mm x 500 mm

Cut-out dimensions (W x D) with flush-fit installation in mm 916/940 x 500/524

Casing height incl. connection box in mm 51

Cutout dimensions in mm (width) with surface-mounted installation 916 mm

Cutout dimensions in mm (depth) with surface-mounted installation 500 mm

Internal cutout dimensions in mm (width) with flush installation 916

Internal cutout dimensions in mm (depth) with flush installation 500

Weight in kg 20

External cutout dimensions in mm (width) with flush installation 940

External cutout dimensions in mm (depth) with flush installation 524

Total rated load in kW 9.20

Length of supply lead in m 1.6

Voltage in V 230

Frequency in Hz 50-60

Accessories included

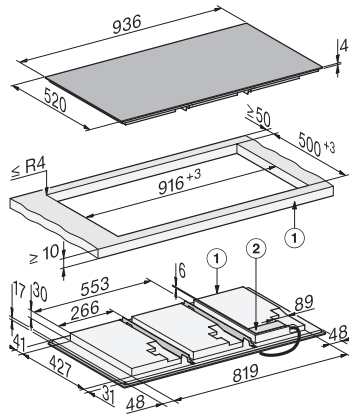
Mains cable

Yes

KM 8695-2 FL

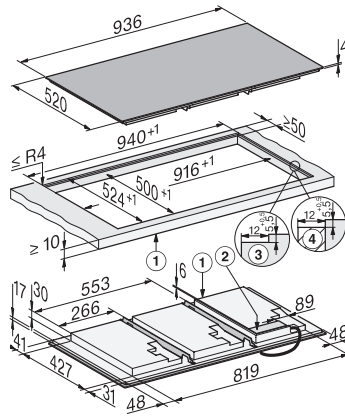
Induction hob with onset controls

936 mm | Full-surface | M Sense ready



KM8695-2FL, KM8695-2FL MattFinish, surface-mounted (*Fußnote) Installation drawing

1) front, 2) Mains connection box, The mains connection cable (L = 1440 mm) is enclosed loose



KM8695-2FL, KM8695-2FL MattFinish, flush (*Fußnote) (Installation drawing)

1) front, 2) Mains connection box, The mains connection cable (L = 1440 mm) is enclosed loosely, 3) Step milling natural stone worktop, 4) Wooden strip 12 mm (no supplied accessories)