

KM 8484 FL

Induction hob with onset controls

806 mm | Individual cooking zones and PowerFlex XL cooking area



- 5 cooking zones incl. 1 powerful PowerFlex XL cooking area
- Precise settings via SingleSlide central slider incl. networking
- Shortest heat-up times thanks to Booster level
- A width of 806 mm for surface-mounted or flush-fit installation

EAN: 4002516989837 / Material number: 12944670 /
Old Material Number: 26184841GB

General information	
Model identifier	KM 8484 FL
Manufacturer material number	12944670
EAN number	4002516989837
Marketing class	Gold
Heating type	
Heating type	Induction
Construction type	
Independent of cooker	•
Design	
Elegant glass ceramic surface	•
Ceramic surface colour	Black
Flush	•
Surface-mounted installation	•
Cooking zone details	
Number of cooking zones	5
Number of cooking areas	1
Maximum number of pans	5
PowerFlex cooking zones	
No.	2
Type	PowerFlex XL cooking area
Size in mm	Ø 120 – 230
Max. rating in W	2100
Max. Booster power rating in W	3650
1st cooking zone/cooking area	
Position	front left
Type	Dual-circuit ring
Size in mm	Ø 100-160
Max. rating in W	1400
Max. Booster power rating in W	2200
2nd cooking zone/cooking area	
Position	rear left
Type	Dual-circuit ring
Size in mm	Ø 120 – 190
Max. rating in W	1850
Max. Booster power rating in W	3000
3rd cooking zone/cooking area	
Position	Centred
Type	Dual-circuit ring
Size in mm	Ø 140-220
Max. rating in W	2100
Max. Booster power rating in W	3650
4th cooking zone/cooking area	
Position	right
Type	PowerFlex XL cooking area
Size in mm	230x460
Max. rating in W	4200
Max. Booster power rating in W	7360

KM 8484 FL

Induction hob with onset controls

806 mm | Individual cooking zones and PowerFlex XL cooking area



EAN: 4002516989837 / Material number: 12944670 /
Old Material Number: 26184841GB

User convenience

Networking with Miele@home	•
Con@ctivity	•
Pan and pan size recognition	•
Operation via sensor controls	SingleSlide
Display colour	Yellow
Permanent pan recognition	•
Stop & Go function	•
Wipe protection	•
Recall function	•
Minute minder	•
Safety switch-off	•
Auto heat-up	•
Keeping warm	•
Individual setting options (e.g. buzzers)	•

Efficiency and sustainability

Power rating in off mode in W	0.3
Power rating in standby mode in W	0.8
Power rating in networked standby in W	2.0
Time until automatic switch to off mode in min	10
Time until automatic switch to standby in min	10
Time until automatic switch to networked standby in min	10

Cleaning and care

Easy to clean ceramic glass	•
-----------------------------	---

Safety

Safety switch-off	•
Lock function	•
System lock	•
Integrated cooling fan	•
Overheating protection	•
Residual heat indicator	•

Technical data

Dimensions (H x W x D) in mm	52 x 806 x 524
Dimensions (W x D) in mm	806 x 52 x 524
Dimensions in mm (width)	806
Dimensions in mm (height)	52
Dimensions in mm (depth)	524
Cut-out dimensions (W x D) with surface-mounted installation in mm	750 mm – 780 mm x 490 mm – 500 mm
Casing height incl. connection box in mm	45
Cutout dimensions in mm (width) with surface-mounted installation	750 mm – 780 mm
Cutout dimensions in mm (depth) with surface-mounted installation	490 mm – 500 mm
Weight in kg	14
Total rated load in kW	7.36
Voltage in V	230
Frequency in Hz	50-60

KM 8484 FL

Induction hob with onset controls

806 mm | Individual cooking zones and PowerFlex XL cooking area



EAN: 4002516989837 / Material number: 12944670 /
Old Material Number: 26184841GB

Accessories included

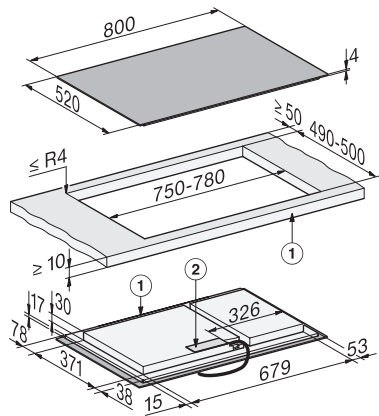
Mains cable

Yes

KM 8484 FL

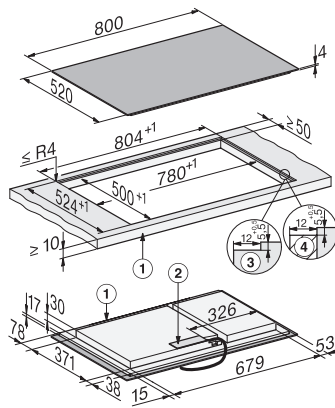
Induction hob with onset controls

806 mm | Individual cooking zones and PowerFlex XL cooking area



KM8484FL surface-mounted (*Fußnote) Installation drawing

1) front, 2) Mains connection box, The mains connection cable (L = 1440 mm) is enclosed loose



KM8484FL flush (*Fußnote) (Installation drawing)

1) front, 2) Mains connection box, The mains connection cable (L = 1440 mm) is enclosed loosely, 3) Step milling natural stone worktop, 4) Wooden strip 12 mm (no supplied accessories)