

## KFMC 3844 FD MasterCool FrenchDoor



- Food stays fresh for up to 5 times longer – MasterFresh Pro
- -
- Up to 95 % less odours – thanks to Longlife AirClean system
- Ice cubes for cold drinks – IceMaker
- Practical illumination with elegant LEDs – BrilliantLight Pro



EAN: 4002516914655 / Material number: 12866800 /  
Old Material Number: 38384420GB

| General information   |   |
|---|---|
| Model identifier  | KFMC 3844 FD                              |
| Manufacturer material number                                      | 12866800                                  |
| EAN number  | 4002516914655                             |
| Marketing class   | Diamond                                   |
| Appliance category  |   |
| Fridge-freezer  | •   |
| Construction type   |   |
| Built-in appliance  | •   |
| Integrated appliance  | •   |
| Door hinge  | Left and right                            |
| Side-by-side enabled  | •   |
| Design  |   |
| Lighting  | BrilliantLight Pro                        |
| SmartLight  | •   |
| User convenience  |   |
| Networking with Miele@home  | •   |
| Operating concept   | M Touch Pro                               |
| Sabbath mode  | •   |
| Freshness system  | MasterFresh Pro +<br>DailyFresh ExtraCool |
| Longlife AirClean system  | •   |
| DynaCool  | •   |
| Holiday mode  | •   |
| NoFrost   | •   |
| DuplexCool Pro  | •   |
| SoftClose   | •   |
| SelfClose   | •   |
| Number of IceMakers with mains water connection                   | 1   |
| IceMaker with mains water connection                              | •   |
| Push2open   | •   |
| FullAccess  | •   |
| EasyClean   | •   |
| MaxLoad hinge   | •   |
| Control system  |   |
| Precise adjustment  | Fridge and freezer<br>temperature         |
| Fridge compartment can be switched off                            | No  |
| Independent temperature regulation of fridge and freezer<br>zones | Yes                                       |
| SuperCool&AirClean  | •   |
| SuperFreeze   | •   |
| No. of temperature zones  | 3   |
| QuickIce  | •   |
| Fridge/Fridge section   |   |
| Height-adjustable, full-width tempered glass shelves              | 1   |
| Height-adjustable, half-width tempered glass shelves              | 2   |
| Number of VeggieBoxes   | 1   |

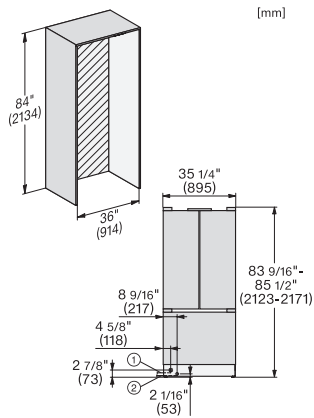
## KFMC 3844 FD MasterCool FrenchDoor



EAN: 4002516914655 / Material number: 12866800 /  
Old Material Number: 38384420GB

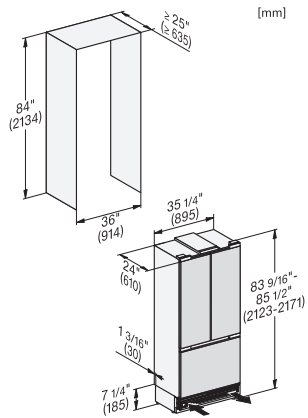
|  |            |
|--|------------|
| No. of crisper drawers                       | 2          |
| Door shelves for jars                        | 4          |
| Door rack for bottles                        | 2          |
| <b>Freezer/Freezer section</b>               |            |
| Number of freezer baskets                    | 3          |
| of which on telescopic runners               | 2          |
| <b>Efficiency</b>                            |            |
| Energy efficiency class (A–G)                | D          |
| Annual energy consumption in kWh             | 285.00     |
| Energy consumption in 24 h in kWh            | 0.75       |
| <b>Safety</b>                                |            |
| Spill-proof glass shelves                    | •          |
| Acoustic door alarm                          | •          |
| Acoustic temperature alarm                   | •          |
| <b>Technical data</b>                        |            |
| Niche width in mm min.                       | 914        |
| Niche width in mm max.                       | 914        |
| Niche height in mm min.                      | 2134       |
| Niche height in mm max.                      | 2134       |
| Niche depth in mm                            | 635        |
| Appliance width in mm                        | 895        |
| Appliance height in mm                       | 2123       |
| Appliance depth in mm                        | 608        |
| Weight in kg                                 | 234.0      |
| Door hinge technology                        | Fixed door |
| Max. door front weight – refrigerator, in kg | 54         |
| Max. door front weight – freezer, in kg      | 14         |
| Climate range                                | SN-T       |
| Refrigerator compartment in l                | 379        |
| including PerfectFresh zone in l             | 60         |
| 4* freezer compartment in l                  | 197        |
| Total usable capacity in l                   | 576        |
| Storage time in case of fault in h           | 19         |
| Freezer capacity in kg/24 h                  | 14.00      |
| Acoustic airborne noise emission class (A–D) | C          |
| Sound emissions in dB(A) re 1 pW             | 39         |
| Current consumption (mA)                     | 3000       |
| Voltage in V                                 | 220-240    |
| Fuse rating in A                             | 10         |
| Number of phases                             | 1          |
| Frequency in Hz                              | 50-60      |
| Length of supply lead in m                   | 3.0        |
| Replacing lamps                              | Service    |
| <b>Accessories included</b>                  |            |
| Longlife AirClean filter                     | •          |
| Water filter                                 | Yes        |
| Ice scoop                                    | •          |

## KFMC 3844 FD MasterCool FrenchDoor

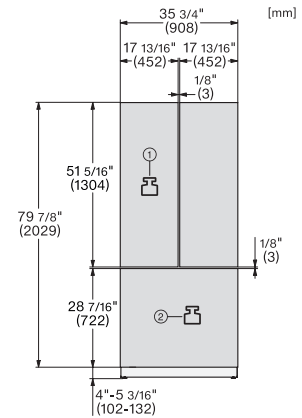


KFMC3642FD, KFMC3844FD, MasterCool III, installation, panel ready

Information for KFMC 3642 FD (US/CD) only, View from the front, 1. Mains connection cable, L = 3000 mm (118 inch), 2. Water connection L = 1800 mm (70 inch), Information for KFMC 3844 FD (EU), 1. Mains connection cable, L = 3000 mm, 2. Water connection L = 1800 mm

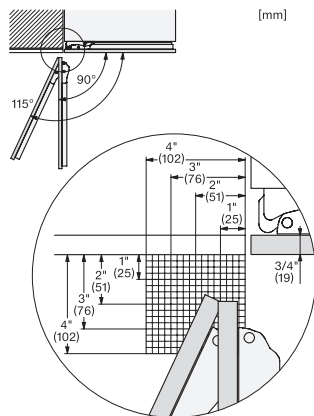


KFMC3642FD, KFMC3844FD, MasterCool III, integration, panel ready

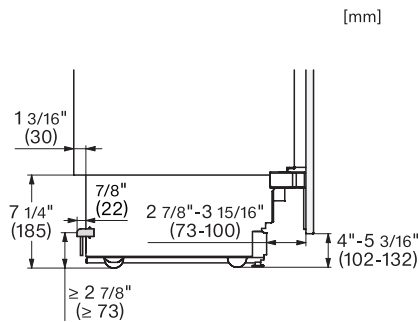


KFMC3642FD, KFMC3844FD, MasterCool III, front view

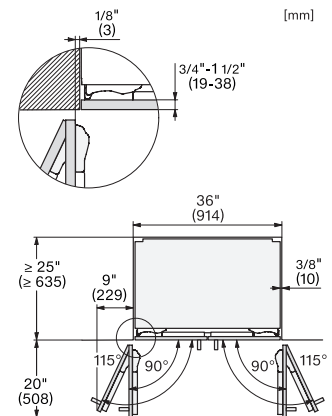
1. 54 kg / 119,0 lbs, 2. 14 kg / 30,8 lbs



KFMC3632R+L, KFMC3642R+L, KFMC3836R+L, KFMC3834R+L, KFMC3858FD, MasterCool III, hinge clearance, installation



KFMC3632R+L, KFMC3642R+L, KFMC3836R+L, KFMC3834R+L, KFMC3858FD, MasterCool III, Side-view bottom, installation



KFMC3642FD, KFMC3844FD, MasterCool III, panel ready, top view