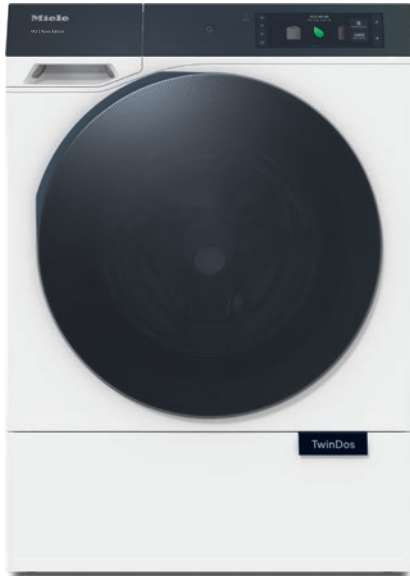


WQ 1000 WPS Nova Edition
W2 front-loader washing machine
A | 9 kg | 1600 rpm | InfinityCare | Automatic dispensing | SmartMatic



- Tested for 20 years of perfect laundry care
- Wash more gently than ever before with the InfinityCare drum
- Save up to 40 %* detergent with TwinDos® thanks to automatic dispensing*
- Our SmartMatic® automatic programme adjusts consumption automatically
- The large colour M Touch Pro display makes operation highly convenient

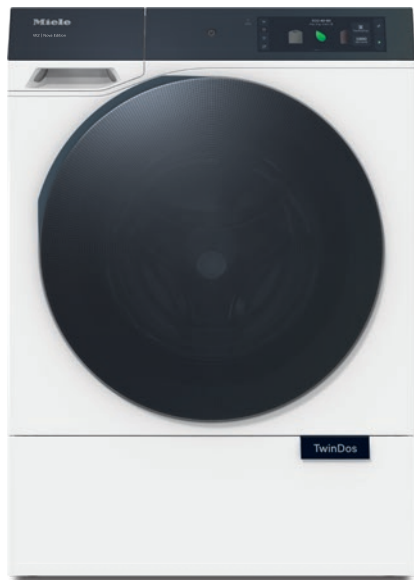
* Compared to manual dispensing and based on internal test results.



EAN: 4002516861638 / Material number: 12699230 /
Old Material Number: 11Q10002GB

Construction type	
Suitable for stacking	•
Side-by-side	•
Slot-in	•
Door hinge	right
Model	
Product brand	W2 Nova Edition
Front-loader	•
Spinning	
Max. spin speed	1600
Rinse hold	•
Without spin function	•
Design	
Appliance colour	Lotus white
Door and panel design	BlackEffect
Control panel version	Slanted
Control type	Touch control
Display	M Touch Pro
AmbientLight	•
MotionReact	•
Cleaning performance	
Innovative PowerWash technology	•
TwinDos automatic detergent dispensing	•
TwinDos automatic cartridge detection	•
CapDosing portioned dispensing	•
Stains option	•
AddProgrammes	•
Excellent hygiene	•
Gentle laundry care	
InfinityCare honeycomb drum	•
Load in kg	9.0
User convenience	
Networking with Miele@home	•
Delay start up to 24 hours	•
Time left display	•
Time of day display	•
Programme sequence indicator	•
Information text	•
Favourite programmes	•
Drum lighting	LED
MultiLingua	•
AutoClean detergent drawer	•
AddLoad	•
ComfortOpen	•
Efficiency and sustainability	
Energy efficiency class (A–G)	A
Weighted energy consumption per 100 operating cycles for the wash cycle in kWh	49

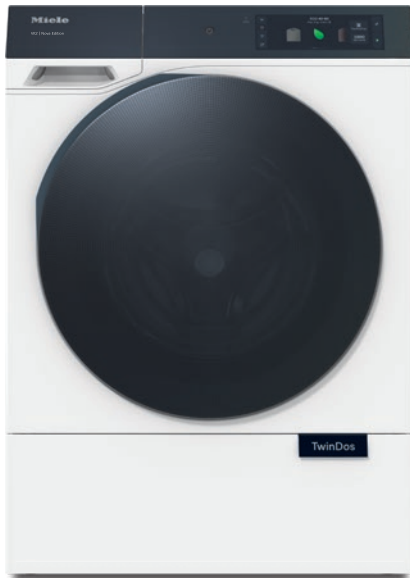
WQ 1000 WPS Nova Edition
 W2 front-loader washing machine
 A | 9 kg | 1600 rpm | InfinityCare | Automatic dispensing | SmartMatic



EAN: 4002516861638 / Material number: 12699230 /
 Old Material Number: 11Q10002GB

Weighted water consumption per cycle in l	50
Spin efficiency class (A–G)	A
Acoustic airborne noise emission class (spin cycle; A–D)	A
Sound emissions during spin cycle in dB(A) re 1 pW	70
Duration of the "ECO 40–60" programme at nominal capacity	229
Power rating in off mode in W	0.50
Power rating in standby mode in W	0.50
Power rating in networked standby in W	2.00
Time until automatic switch to off mode in min	15
Time until automatic switch to standby in min	15
Time until automatic switch to networked standby in min	15
FlexLoad automatic load recognition	•
Hot water connection	•
EcoFeedback	•
Low temperature wash "Cold" and "20 °C"	•
Automatic load control	•
Flow meter	•
Foam sensing	•
ProfiEco motor	•
Wash programmes	
QuickPowerWash	•
Cottons (coloureds)	•
Minimum iron	•
Delicates	•
Silk (hand-washable)	•
Woollens (hand-washable)	•
Express 20	•
Dark garments / Denim	•
Outerwear	•
Proofing	•
Sportswear	•
Trainers	•
Clean machine	•
Separate rinse	•
ECO 40-60	•
PowerFresh	•
Down filled items/Duvets	•
Curtains	•
New Clothes	•
SmartMatic®	•
Pre-ironing only	•
Clean drum	•
Washing extras	
SingleWash	•
Short	•
Soak	•
Pre-wash	•
Extra quiet	•

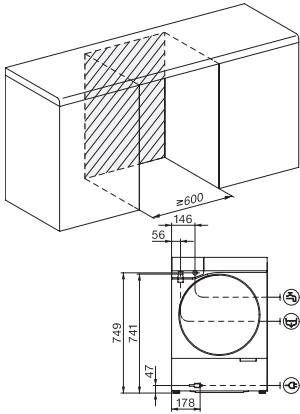
WQ 1000 WPS Nova Edition
 W2 front-loader washing machine
 A | 9 kg | 1600 rpm | InfinityCare | Automatic dispensing | SmartMatic



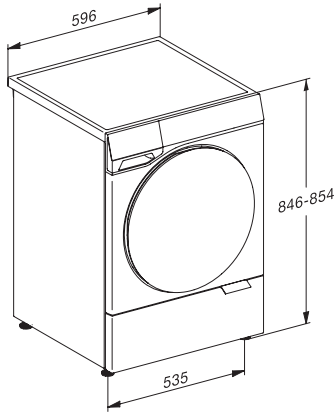
EAN: 4002516861638 / Material number: 12699230 /
 Old Material Number: 11Q10002GB

Pre-ironing with steam	•
Buzzer	•
Hygiene plus	•
Save energy	•
Safety	
Water protection system	Waterproof-System
Safety lock	•
PIN-Code	•
Optical interface	•
Technical data	
Dimensions in mm (width)	596
Dimensions in mm (height)	850
Dimensions in mm (depth)	636
Dimensions in mm (depth)	620
Appliance depth in mm with opened door	1055
Appliance depth in mm with opened door	1087
Appliance depth excluding door (for building-under) in mm	600
Weight in kg	91
Total rated load in kW	2.10-2.40
Voltage in V	220-240
Fuse rating in A	13
Frequency in Hz	50
Length of water inlet hose in m	1.60
Length of water drain hose in m	1.50
Accessories included	
3 Caps	•
UltraPhase 1 + 2	•
Voucher for 5 Miele UltraPhase cartridges	•

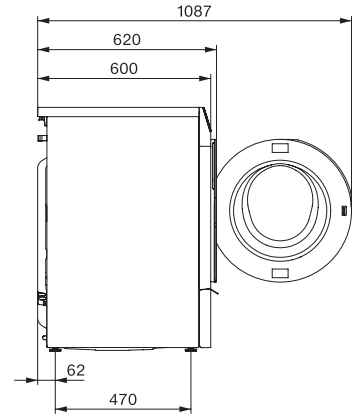
WQ 1000 WPS Nova Edition
W2 front-loader washing machine
A | 9 kg | 1600 rpm | InfinityCare | Automatic dispensing | SmartMatic



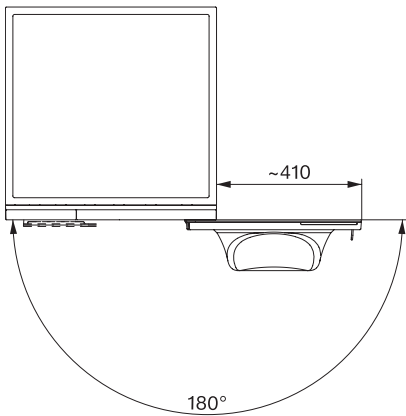
W2 drawing, facia 17 degree, measures in mm



W2 drawing, facia 17 degree, measures in mm



W2 drawing, facia 17 degree, measures in mm



W2 drawing, facia 17 degree, measures in mm