

G 5450 SCVi Active Plus  
Fully integrated dishwashers  
for optimum drying results thanks to AutoOpen drying.



- Perfect results in less than one hour – QuickPowerWash
- Innovative design and maximum convenience – 3D MultiFlex Tray
- Fresh water dishwashers – from 6.0 l litres in the Automatic programme
- Save up to 50 % more electricity – hot water connection
- Versatile and secure – comfort basket design



EAN: 4002516835479 / Material number: 12656400 / Old Material Number: 21545062GB

<b>Model</b>	
Fully integrated dishwasher	•
60 cm dishwasher	•
<b>Design</b>	
Control panel colour	Stainless Steel.
Control panel version	Fully integrated fascia
Control type	Programme selector button
Display	3-digit 7-segment display
Display colour	White
<b>Convenience</b>	
Door closing aid	ComfortClose
Time left display	•
Delay start up to 24 hours	•
In-operation indicator light	Display, acoustic
<b>Efficiency and sustainability</b>	
Energy efficiency class (A–G)	B
Water consumption in the Automatic programme in l from	6.0
Water consumption of the ECO programme in litres per programme cycle	8.4
Electricity consumption in the ECO programme in kWh	0.64
Energy consumption of the ECO programme in kWh after 100 programme cycles	64
Consumption value in kWh in the ECO programme with hot water connection	0.40
Duration of ECO programme in minutes	199
Noise emission class	B
Noise emissions in dB(A)	44
EcoPower Technology	•
Proven hygiene	•
Hot water connection	•
Half load	•
<b>Quality of results</b>	
Fresh water dishwasher	•
AutoOpen drying	•
SensorDry	•
Recirculation Turbothermic drying	•
BrilliantGlassCare	•
<b>Wash programmes</b>	
ECO	•
Automatic	•
Intensive 75 °C	•
Gentle	•
QuickPowerWash	•
<b>Dishwashing options</b>	
Express	•
Extra Clean	•
Extra dry	•
<b>Basket design</b>	
Cutlery loading	3D MultiFlex tray
FlexCare cup rack	1
Basket design	Comfort

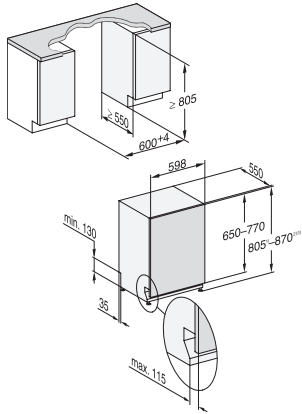
G 5450 SCVi Active Plus  
Fully integrated dishwashers  
for optimum drying results thanks to AutoOpen drying.



EAN: 4002516835479 / Material number: 12656400 / Old Material Number: 21545062GB

Number of place settings	14
<b>Safety</b>	
Waterproof system	•
<b>Technical data</b>	
Niche width minimal in mm	600
Niche width max in mm	600
Niche height minimal in mm	805
Niche height maximal in mm	870
Niche depth in mm	550
Appliance width in mm	598
Appliance height in mm	805
Appliance depth in mm	550
Depth with door open in cm	116.5
Net weight in kg	44.0
Total rated load in kW	2.00
Voltage in V	230
Fuse rating in A	10
Number of phases	1
Electrical frequency standard	50
Length of water inlet hose in cm	1.50
Length of water drain hose in cm	1.50
Length of supply lead in m	1.70
Min. front panel weight in kg	4.0
Max. front panel weight in kg	11.0
[can be retrofitted by Service to min.]	8.0
[can be retrofitted by Service to max.]	16.0
<b>Accessories included</b>	
1 x UltraTabs box (20 tabs)	•
Voucher for 1 x box of UltraTabs (20 tabs) or 3 boxes (60 tabs in each) at a reduced price	•

G 5450 SCVi Active Plus  
Fully integrated dishwashers  
for optimum drying results thanks to AutoOpen drying.



G7000, fully integrated dishwasher, 60cm (installation drawing)

1) Plinth height 35-155 mm, 2) Plinth height 100-220 mm,  
3) Appliance height max. 930 mm with plinth height conversion kit (Mat.-Nr. 6.394.761),