

WEB685 WCS 125 Edition

W1 front-loader washing machine:

with A -10 %, SteamCare and TwinDos for excellent laundry care.



- Tested for 20 years of perfect laundry care
- Save even more energy with A -10 %*
- 50% less ironing plus maximum variety of applications –SteamCare
- Automatic detergent dispensing at the touch of a button – TwinDos
- Miele@home – clever networking opens up new possibilities**

* 10 % more economical than the threshold value (52) for energy efficiency class A

** Additional digital offer from Miele & Cie. KG. All smart applications are made possible with the Miele@home system. The range of functions can vary depending on the model and the country.



EAN: 4002516789116 / Material number: 12518650 / Old Material Number: 11EB6851GB

Anniversary promotion	
Anniversary models 125	•
Construction type	
Suitable for stacking	•
Side-by-side	•
Slot-in	•
Can be built-under	•
Door hinge	right
Model	
Product brand	W1 Chrome Edition
Front-loader	•
Spinning	
Max. spin speed	1400
Rinse hold	•
Without spin function	•
Design	
Appliance colour	Lotus white
Control panel colour	Lotus white
Door design	Graphite grey PearlFinish
Rotary selector colour	Lotus White
Control panel version	Straight
Control type	Rotary control
Display	DirectSensor white, 7 segment
Cleaning performance	
TwinDos automatic detergent dispensing	•
CapDosing portioned dispensing	•
Gentle laundry care	
Honeycomb drum	•
Load in kg	8.0
User convenience	
Networking with Miele@home	•
SteamCare steam system	•
Delay start up to 24 hours	•
Time left display	•
AutoClean detergent drawer	•
AddLoad	•
Efficiency and sustainability	
Energy efficiency class (A–G)	A
More economical than the threshold value (52) for energy efficiency class A	10%
Weighted energy consumption per 100 operating cycles for the wash cycle in kWh	43
Weighted water consumption per cycle in l	48
Spin efficiency class	B
Acoustic airborne noise emission class (spin cycle)	A
Sound emissions during spin cycle in dB(A) re 1 pW	72
Duration of the “ECO 40–60” programme at nominal capacity	219
Power rating in off mode in W	0.30
Power rating in networked standby in W	0.60

WEB685 WCS 125 Edition

W1 front-loader washing machine:

with A -10 %, SteamCare and TwinDos for excellent laundry care.



EAN: 4002516789116 / Material number: 12518650 / Old Material Number: 11EB6851GB

Low temperature wash "Cold" and "20 °C"	•
Flow meter	•
Foam sensing	•
ProfiEco motor	•
Wash programmes	
Cottons (coloureds)	•
Cottons with pre-wash	•
Minimum iron	•
Delicates	•
Shirts	•
Woollens (hand-washable)	•
Express 20	•
Dark garments / Denim	•
Freshen up (steam)	•
Drain / Spin	•
ECO 40-60	•
Washing extras	
Short	•
Steam smoothing	•
Pre-ironing with steam	•
Buzzer	•
Safety	
Water protection system	Watercontrol-System
Safety lock	•
PIN-Code	•
Optical interface	•
Technical data	
Dimensions in mm (width)	596
Dimensions in mm (height)	850
Dimensions in mm (depth)	636
Appliance depth in mm with opened door	1054
Appliance depth excluding door (for building-under) in mm	600
Weight in kg	80
Total rated load in kW	2.10-2.40
Voltage in V	220-240
Fuse rating in A	10
Frequency in Hz	50
Length of supply lead in m	2
Accessories included	
UltraPhase 1 + 2	•
Voucher for 5 Miele UltraPhase cartridges	•

WEB685 WCS 125 Edition

W1 front-loader washing machine:

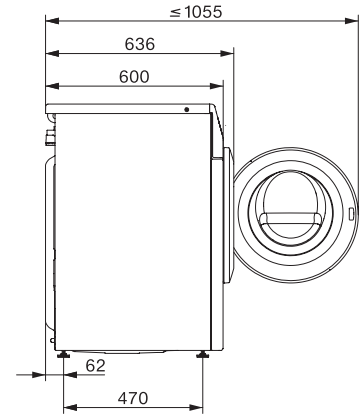
with A -10 %, SteamCare and TwinDos for excellent laundry care.



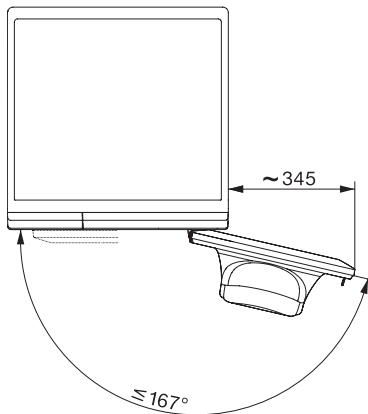
W1 installation drawing, slanted fascia or straight fascia, measures in mm



W1 drawing, slanted fascia or straight fascia, measures in mm



W1 drawing, slanted fascia or straight fascia, measures in mm



W1 drawing, slanted fascia or straight fascia, measures in mm