

## KMDA 7676 FL-U BlackPerfection

Induction hob with integrated vapour extraction

with two extra large PowerFlex XL cooking areas for recirculation mode



- The quietest TwoInOne from Miele – Silence motor
- Flexible installation – Plug&Play or ducted recirculation mode
- Ample space – 4 large cooking zones incl. 2 PowerFlex XL areas
- Automatic fan power regulation – Con@ctivity
- All-black design ensures an elegant appearance

EAN: 4002516777809 / Material number: 12509230 / Old Material Number: 26767679GB

<b>Construction type</b>	
Induction hob with integrated vapour extraction	•
<b>Operating modes</b>	
Recirculation air guided with optional accessories	Recirculation
Recirculation air guided with optional accessories	DFK-xxxx, DUU 1500, DUU 600
Unguided recirculation air (Plug&Play installation)	Yes
<b>Design</b>	
Elegant glass ceramic surface	•
Flush	•
Ceramic surface colour	Black
Frameless – surface-mounted	•
Flush fit extractor	•
Colour of cover grille	Black
Grease filter colour	Black
<b>Cooking zone details</b>	
Number of cooking zones	4
Number of cooking areas	2
Maximum number of pans	4
<b>PowerFlex cooking zones</b>	
No.	4
Type	PowerFlex XL cooking area
Diameter in mm	Ø 150 – 230
Rating in W	2100
Booster in W	3000
TwinBooster in W	3650
<b>1st cooking zone/cooking area</b>	
Position	Left
Type	PowerFlex XL cooking area
Size in mm	230x460
Max. Booster power rating in W	4800
Max. rating in W	3400
Max. TwinBooster power rating in W	7300
<b>2nd cooking zone/cooking area</b>	
Position	right
Type	PowerFlex XL cooking area
Size in mm	230x460
Max. Booster power rating in W	4800
Max. rating in W	3400
Max. TwinBooster power rating in W	7300
<b>User convenience</b>	
Miele@home	•
Operation via sensor controls	ComfortSelect White
Automatic function Con@ctivity	•
Digital power level display	•
Display colour	Yellow
Auto heat-up	•
Keeping warm	•
Stop & Go function	•
Recall function	•

KMDA 7676 FL-U BlackPerfection  
 Induction hob with integrated vapour extraction  
 with two extra large PowerFlex XL cooking areas for recirculation mode



EAN: 4002516777809 / Material number: 12509230 / Old Material Number: 26767679GB

Safety switch-off	•
Permanent pan recognition	•
Individual setting options (e.g. buzzers)	•
Active charcoal filter saturation indicator	•
Run-on time 5/15 min.	•
Wipe protection	•
Grease filter saturation indicator	•
Minute minder	•
Easy-to-clean canopy interior – CleanCover	•
<b>Efficiency and sustainability</b>	
ECO motor	•
<b>Cleaning and care</b>	
Easy to clean ceramic glass	•
<b>Recirculation</b>	
Air throughput at min. level (m <sup>3</sup> /h) according to EN 61591	160
Air throughput at max. level (m <sup>3</sup> /h) according to EN 61591	465
Air throughput in Booster level 1 (m <sup>3</sup> /h) according to EN 61591	510
Sound power at min. level (dB(A) re 1 pW) according to EN 60704-3	47.0
Sound power at max. level (dB(A) re 1 pW) according to EN 60704-3	70.0
Sound pressure at min. level (dB(A) re 20 µPa) according to EN 60704-2-13	34.0
Sound pressure at max. level (dB(A) re 20 µPa) according to EN 60704-2-13	55.0
Sound pressure in Booster level 1 (dB(A) re 20 µPa) acc. to EN 60704-2-13	57.0
<b>Safety</b>	
Safety switch-off	•
Lock function	•
System lock	•
Integrated cooling fan	•
Overheating protection	•
Residual heat indicator	•
<b>Technical data</b>	
Dimensions in mm (width)	800
Dimensions in mm (height)	238
Dimensions in mm (depth)	520
Cutout dimensions in mm (width) with surface-mounted installation	780
Cutout dimensions in mm (depth) with surface-mounted installation	500
Casing height incl. connection box in mm	238
Internal cutout dimensions in mm (width) with flush installation	780
Internal cutout dimensions in mm (depth) with flush installation	500
Weight in kg	20
External cutout dimensions in mm (width) with flush installation	804
External cutout dimensions in mm (depth) with flush installation	524

## KMDA 7676 FL-U BlackPerfection

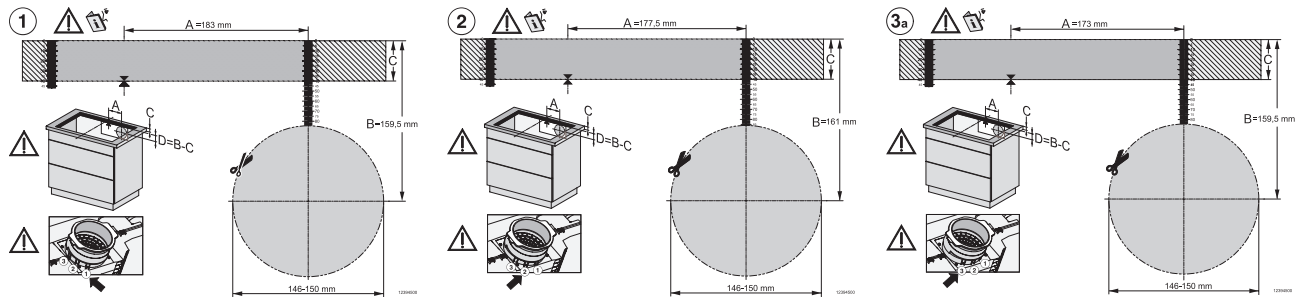
Induction hob with integrated vapour extraction  
with two extra large PowerFlex XL cooking areas for recirculation mode



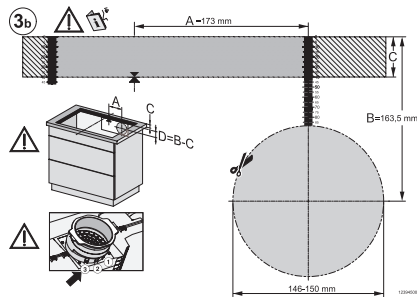
EAN: 4002516777809 / Material number: 12509230 / Old Material Number: 26767679GB

Total rated load in kW	7.50
Voltage in V	230
Frequency in Hz	50-60
Length of supply lead in m	1.6
<b>Accessories included</b>	
Mains cable	Yes
Active charcoal filter for recirculation mode	•
Plug&Play adapter	•

KMDA 7676 FL-U BlackPerfection  
 Induction hob with integrated vapour extraction  
 with two extra large PowerFlex XL cooking areas for recirculation mode

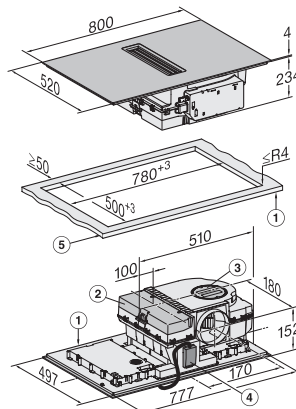


KMDA7676FL-U BlackPerfection, KMDA7876FL-U – flush installation, drilling template, Installation depth 20 cm



KMDA7676FL-U, KMDA7876FL-U – flush installation, drilling template, Installation depth 21 cm, Installation drawing

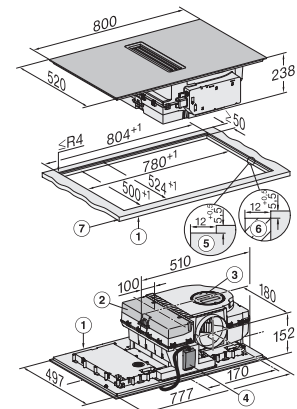
KMDA7676FL-U, KMDA7876FL-U – surface installation, drilling template, Installation drawing



KMDA7676FL, KMDA7876FL – Installation drawing

1) Front, 2) Removable drip tray, 3) Cleaning flap, 4) Mains connection box with mains connection cable, L = 1600 mm, 5) Worktop thickness, Exhaust air and guided recirculation mode:  $\geq 10$  mm, Plug&Play operation:  $\geq 10$  mm –  $\leq 40$  mm

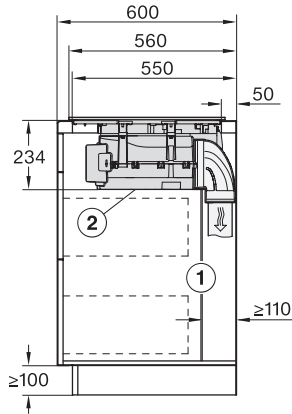
KMDA7676FL-U, KMDA7876FL-U – surface installation, 21 cm, drilling template, Installation drawing



KMDA7676FL, KMDA7876FL – flush – Installation drawing

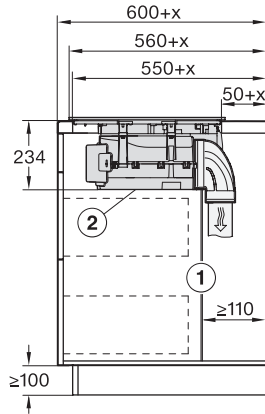
1) Front, 2) removable drip tray, 3) cleaning flap, 4) Mains connection box with mains connection cable, L = 1600 mm, 5) Step milling natural stone worktop, 6) Wooden strip 12 mm (not included in delivery), 7) Worktop thickness, Exhaust air and guided recirculation mode:  $\geq 10$  mm, Plug&play operation:  $\geq 10$  mm –  $\leq 40$  mm

KMDA 7676 FL-U BlackPerfection  
 Induction hob with integrated vapour extraction  
 with two extra large PowerFlex XL cooking areas for recirculation mode



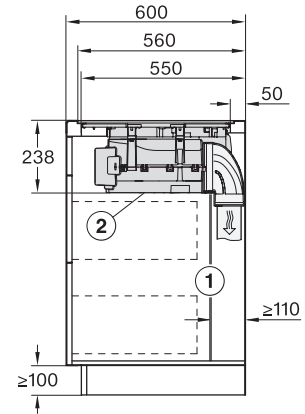
KMDA7676FL, KMDA7876FL – Side view lying on top – Installation drawing

The rear wall of the cabinet must be removable for servicing. A minimum distance of 110 mm must be maintained for routing the exhaust air duct between the cabinet wall and an adjacent room wall or furniture., The removable collection tray and the cleaning flap must be accessible after installation.



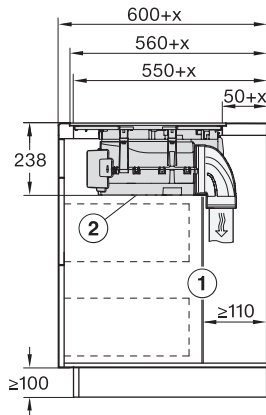
KMDA7676FL, KMDA7876FL – Side view lying on top+X – Installation drawing

The rear wall of the cabinet must be removable for servicing. A minimum distance of 110 mm must be maintained for routing the exhaust air duct between the cabinet wall and an adjacent room wall or furniture., The removable collection tray and the cleaning flap must be accessible after installation., , x Dimension by which the worktop depth is greater than 600 mm.



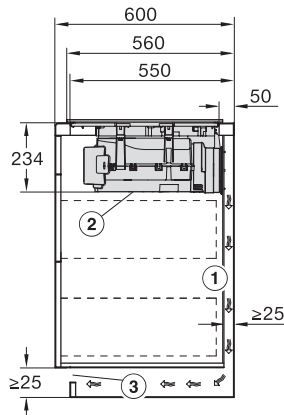
KMDA7676FL, KMDA7876FL – Side view flush – Installation drawing

The rear wall of the cabinet must be removable for servicing. A minimum distance of 110 mm must be maintained for routing the exhaust air duct between the cabinet wall and an adjacent room wall or furniture., The removable collection tray and the cleaning flap must be accessible after installation.



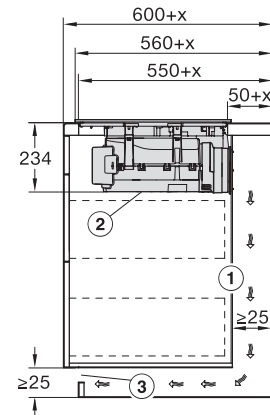
KMDA7676FL, KMDA7876FL – Side view flush+X – Installation drawing

The rear wall of the cabinet must be removable for servicing. A minimum distance of 110 mm must be maintained for routing the exhaust air duct between the cabinet wall and an adjacent room wall or furniture., The removable collection tray and the cleaning flap must be accessible after installation., , x Dimension by which the worktop depth is greater than 600 mm.



KMDA7676FL, KMDA7876FL – Side view lying on top, Plug&Play – Installation drawing

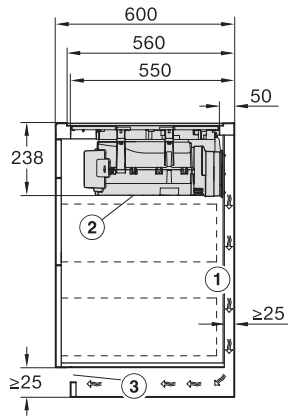
A minimum distance of 25 mm must be maintained for routing the exhaust air duct between the cabinet wall and an adjacent room wall or furniture., The removable collection tray and the cleaning flap must be accessible after installation., The cross-section of the vent opening must be at least 425 cm<sup>2</sup>.



KMDA7676FL, KMDA7876FL – Side view lying on top+X, Plug&Play – Installation drawing

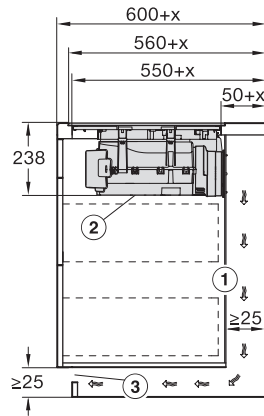
A minimum distance of 25 mm must be maintained for routing the exhaust air duct between the carcass wall and an adjacent room wall or furniture. If the carcass rear wall is > 555 mm from the worktop front, the Plug&Play adapter must be extended with a supplementary set from Miele., The removable drip tray and the cleaning flap must be accessible after installation., The cross-section of the vent opening must be at least 425 cm<sup>2</sup>., , x Dimension by which the worktop depth is greater than 600 mm.

KMDA 7676 FL-U BlackPerfection  
 Induction hob with integrated vapour extraction  
 with two extra large PowerFlex XL cooking areas for recirculation mode



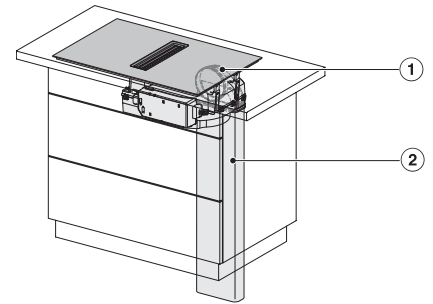
KMDA7676FL, KMDA7876FL – Side view flush, Plug&Play – Installation drawing

A minimum distance of 25 mm must be maintained for routing the exhaust air duct between the cabinet wall and an adjacent room wall or furniture., The removable collection tray and the cleaning flap must be accessible after installation., The cross-section of the ventilation opening must be at least 425 cm<sup>2</sup>.



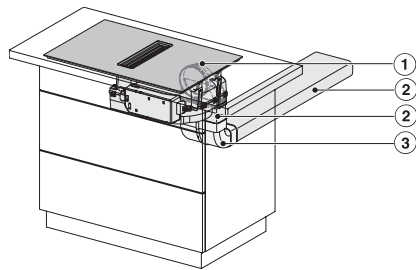
KMDA7676FL, KMDA7876FL – Side view flush+X, Plug&Play – Installation drawing

A minimum distance of 25 mm must be maintained for routing the exhaust air duct between the carcass wall and an adjacent room wall or furniture. If the carcass rear wall is > 555 mm from the worktop front, the Plug&Play adapter must be extended with a supplementary set from Miele., The removable drip tray and the cleaning flap must be accessible after installation., The cross-section of the vent opening must be at least 425 cm<sup>2</sup>., , x Dimension by which the worktop depth is greater than 600 mm.



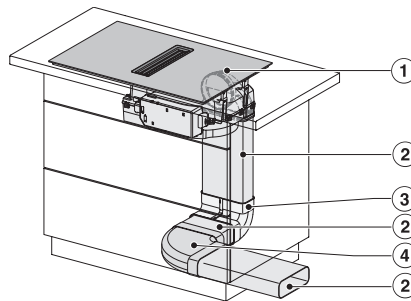
KMDA7676FL, KMDA7876FL – Installation variant 1 Basis -drawing

1) DFK-AK 90, 2) DFK-R 1000



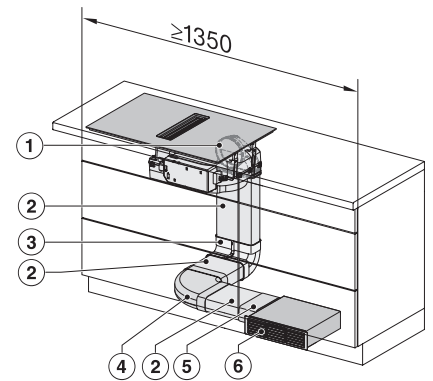
KMDA7676FL, KMDA7876FL – Installation variant 2 Basis - drawing

1) DFK-AK 90, 2) DFK-R 1000, 3) DFK-BV 90



KMDA7676FL, KMDA7876FL -Installation variant 3 Basis - drawing

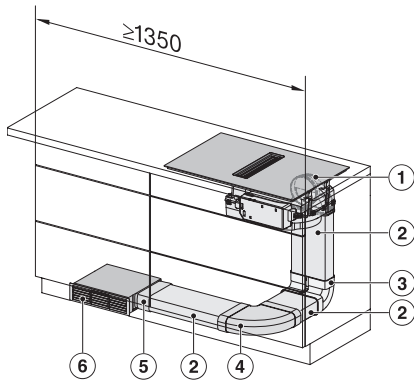
1) DFK-AK 90, 2) DFK-R 1000, 3) DFK-BV 90, 4) DFK-BH 90



KMDA7676FL, KMDA7876FL – Installation variant 4 Circulating air - drawing

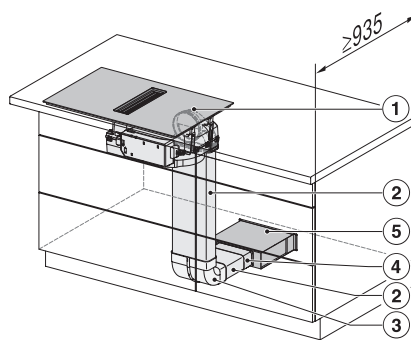
1) DFK-AK 90, 2) DFK-R 1000, 3) DFK-BV 90, 4) DFK-BH 90, 5) DFK-V, 6) DUU 1500, , The minimum width of the cabinet is 1350 mm.

KMDA 7676 FL-U BlackPerfection  
 Induction hob with integrated vapour extraction  
 with two extra large PowerFlex XL cooking areas for recirculation mode



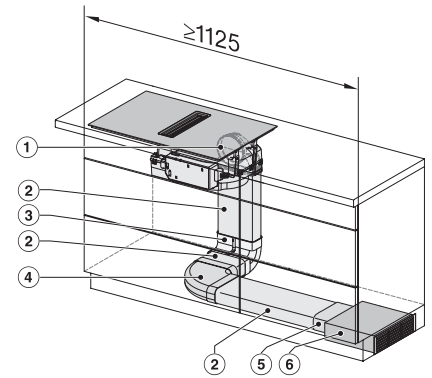
KMDA7676FL, KMDA7876FL – Installation variant  
 5 Circulating air – drawing

1) DFK-AK 90, 2) DFK-R 1000, 3) DFK-BV 90, 4) DFK-BH 90, 5) DFK-V, 6) DUU 1500, , The minimum depth of the cabinet is 935 mm.



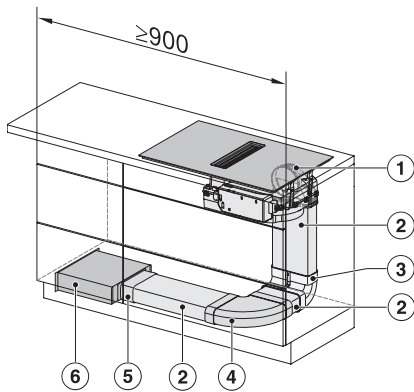
KMDA7676FL, KMDA7876FL – Installation variant  
 6 Circulating air – drawing

1) DFK-AK 90, 2) DFK-R 1000, 3) DFK-BV 90, 4) DFK-V, 5) DUU 1500, , The minimum depth of the cabinet is 935 mm.



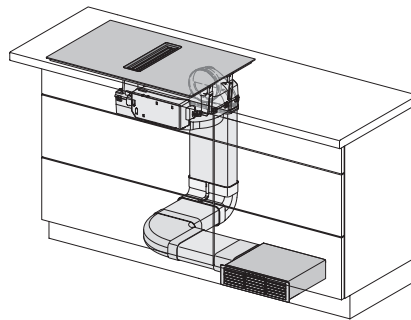
KMDA7676FL, KMDA7876FL – Installation variant  
 13 Circulating air – drawing

1) DFK-AK 90, 2) DFK-R 1000, 3) DFK-BV 90, 4) DFK-BH 90, 5) DFK-V, 6) DUU 1500, , The minimum width of the cabinet is 1125 mm.

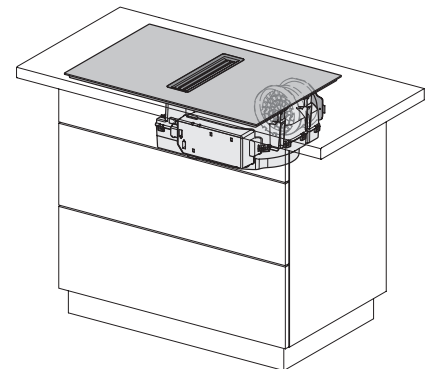


KMDA7676FL, KMDA7876FL – Installation variant  
 14 Circulating air – drawing

1) DFK-AK 90, 2) DFK-R 1000, 3) DFK-BV 90, 4) DFK-BH 90, 5) DFK-V, 6) DUU 1500, , The minimum width of the cabinet is 900 mm.



KMDA7676FL/FR, KMDA7876FL/FR, Air circulation  
 (Installation drawing)



KMDA7676FL/FR, KMDA7876FL/FR, Plug&Play  
 (Installation drawing)