

KS 4383 DD

Freestanding refrigerator

with DailyFresh and DynaCool for a convenient side-by-side combination.



- More space and convenience thanks to XL interior cabinet
- Spacious drawer with moisture control – DailyFresh
- Uniform temperature distribution inside the appliance – DynaCool
- Dishwasher-safe door shelves – ComfortClean
- Handle-less design thanks to an integrated handle design



EAN: 4002516742142 / Material number: 12430990 / Old Material Number: 36438341GB

| | |
|--|--------------------|
| Appliance category | |
| Refrigerator | • |
| Construction type | |
| Freestanding appliance | • |
| Door hinge | right |
| Convertible door hinging | • |
| Side-by-side enabled | • |
| Design | |
| Casing colour | Silver |
| Front colour | Stainless look |
| Refrigeration section lighting | LED |
| User convenience | |
| Networking with Miele@home | • |
| Freshness system | DailyFresh |
| ComfortClean | • |
| DynaCool | • |
| XL interior | • |
| Concealed door opener | SideOpen |
| Control system | |
| Operating concept | SensorTouch |
| Precise adjustment | Fridge temperature |
| Independent temperature regulation of fridge and freezer zones | No |
| Automatic SuperCool | • |
| No. of temperature zones | 1 |
| Sabbath mode | • |
| Party mode | • |
| Holiday mode | • |
| Fridge/Fridge section | |
| No. of shelves | 7 |
| No. of crisper drawers | 2 |
| Number of inner door racks for tinned food | 3 |
| Door rack for bottles | 2 |
| Door shelves | 5 |
| Efficiency and sustainability | |
| Energy efficiency class (A–G) | D |
| Annual energy consumption in kWh | 98.00 |
| Energy consumption in 24 h in kWh | 0.26 |
| Safety | |
| Lock function | • |
| Acoustic door alarm | • |
| Optical door alarm | • |
| Technical data | |
| Appliance width in mm | 597 |
| Appliance height in mm | 1855 |
| Appliance depth in mm | 675 |
| Weight in kg | 68.1 |
| Climate class | SN-T |
| Refrigerator compartment in l | 399 |
| 4* freezer compartment in l | 0 |

KS 4383 DD

Freestanding refrigerator

with DailyFresh and DynaCool for a convenient side-by-side combination.



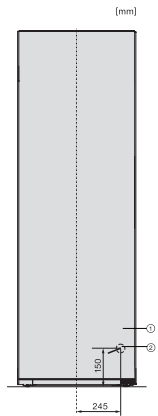
EAN: 4002516742142 / Material number: 12430990 / Old Material Number: 36438341GB

| | |
|--|---------|
| Total usable capacity in l | 399 |
| Acoustic airborne noise emission class (A-D) | C |
| Sound emissions in dB(A) re 1 pW | 36 |
| Current consumption (mA) | 1200 |
| Voltage in V | 220-240 |
| Fuse rating in A | 13 |
| Number of phases | 1 |
| Frequency in Hz | 50-60 |
| Length of supply lead in m | 2.0 |
| Replacing lamps | Service |
| Accessories included | |
| Egg tray | • |

KS 4383 DD

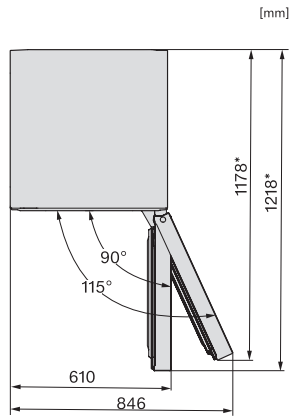
Freestanding refrigerator

with DailyFresh and DynaCool for a convenient side-by-side combination.



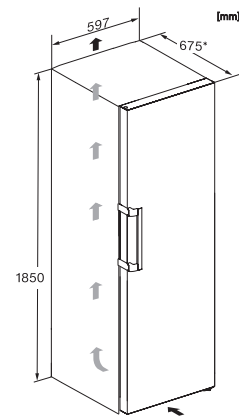
K4373ED, KS4383ED, KS4383 C ED, KS4783 bb Blackboard, KS4887DD, installation (footnote*) (installation drawings)

*1. View from the front, 2. Mains connection cable, L = 2000 mm



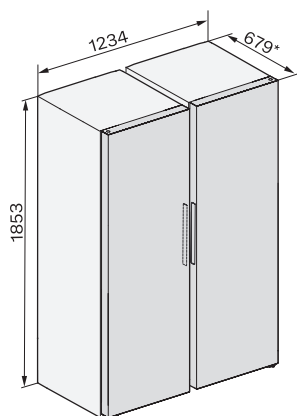
KFN4375DD, KFN4395DD, KFN4393FD, KFN4393D, KFN4377DD, KS4383ED, K4373ED, FN4312E, top view (footnote*)

*To achieve the declared energy consumption, the spacers supplied with the unit must be used. This increases the depth of the unit by approx. 15 mm. The unit is fully functional without the use of the spacers, but has a slightly higher energy consumption.



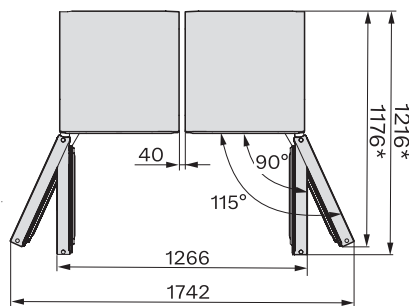
KS4383DD N, KS4383ED N, Nordic, installation sketch (footnote*) (installation drawings)

*To achieve the declared energy consumption, the spacers supplied with the unit must be used. This increases the depth of the unit by approx. 15 mm. The unit is fully functional without the use of the spacers, but has a slightly higher energy consumption.



KWTS4785F, KS4887DD, KWTS4785F, KS4383ED, KWTS4785F, KWNS4784DE, KWNS4784DE, KS4887DD, installation sketch (*footnote)

*To achieve the declared energy consumption, the spacers supplied with the unit must be used. This increases the depth of the unit by approx. 15 mm. The unit is fully functional without the use of the spacers, but has a slightly higher energy consumption.



KWTS4785F, KS4887DD, KWTS4785F, KS4383ED, KWTS4785F, KWNS4784DE, KWNS4784DE, KS4887DD, top view (*footnote)

*To achieve the declared energy consumption, the spacers supplied with the unit must be used. This increases the depth of the unit by approx. 15 mm. The unit is fully functional without the use of the spacers, but has a slightly higher energy consumption.