

## KM 7363 FL

Induction hob with onset controls  
with flex cooking area for large cookware



- Quick selection via numerical keybank – ComfortSelect
- 4 cooking zones incl. 1 flex cooking area
- A width of 620 mm for surface-mounted or flush-fit installation
- Communication with the hood – automatic Con@ctivity function

EAN: 4002516732808 / Material number: 12399720 / Old Material Number: 26736370GB

<b>Heating type</b>	
Heating type	Induction
<b>Construction type</b>	
Independent of cooker	•
<b>Design</b>	
Elegant glass ceramic surface	•
Flush	•
Ceramic surface colour	Black
Surface-mounted installation	•
<b>Cooking zone details</b>	
Number of cooking zones	4
Number of cooking areas	1
Maximum number of pans	4
<b>PowerFlex cooking zones</b>	
No.	2
Type	Flex cooking zone
Diameter in mm	Ø 110-210
Rating in W	2100
Booster in W	3000
<b>1st cooking zone/cooking area</b>	
Position	front left
Type	Dual-circuit ring
Size in mm	Ø 90-160
Max. Booster power rating in W	1850
Max. rating in W	1400
<b>2nd cooking zone/cooking area</b>	
Position	rear left
Type	Dual-circuit ring
Size in mm	Ø 110-220
Max. Booster power rating in W	3000
Max. rating in W	2300
<b>3rd cooking zone/cooking area</b>	
Position	right
Type	Flex cooking zone
Size in mm	210x400
Max. Booster power rating in W	3700
Max. rating in W	3000
<b>User convenience</b>	
Miele@home	•
Operation via sensor controls	ComfortSelect
Automatic function Con@ctivity	•
Pan and pan size recognition	•
Extended cooking zone	•
Display colour	Yellow
Auto heat-up	•
Keeping warm	•
Stop & Go function	•
Recall function	•
Safety switch-off	•
Permanent pan recognition	•

KM 7363 FL  
 Induction hob with onset controls  
 with flex cooking area for large cookware

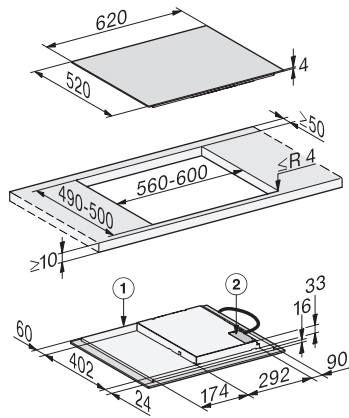


EAN: 4002516732808 / Material number: 12399720 / Old Material Number: 26736370GB

Individual setting options (e.g. buzzers)	•
Minute minder	•
<b>Efficiency and sustainability</b>	
Residual heat utilisation	•
Power rating in off mode in W	0.5
Power rating in standby mode in W	1.0
Power rating in networked standby in W	2.0
Time until automatic switch to off mode in min	20
Time until automatic switch to standby in min	20
Time until automatic switch to networked standby in min	20
<b>Cleaning and care</b>	
Easy to clean ceramic glass	•
<b>Safety</b>	
Safety switch-off	•
Lock function	•
System lock	•
Integrated cooling fan	•
Overheating protection	•
Residual heat indicator	•
<b>Technical data</b>	
Dimensions in mm (width)	620
Dimensions in mm (height)	53
Dimensions in mm (depth)	520
Cutout dimensions in mm (width) with surface-mounted installation	600
Cutout dimensions in mm (depth) with surface-mounted installation	490
Casing height incl. connection box in mm	53
Internal cutout dimensions in mm (width) with flush installation	600
Internal cutout dimensions in mm (depth) with flush installation	500
Weight in kg	9
External cutout dimensions in mm (width) with flush installation	624
External cutout dimensions in mm (depth) with flush installation	524
Total rated load in kW	7.30
Length of supply lead in m	1.4
Voltage in V	230
Frequency in Hz	50-60
<b>Accessories included</b>	
Mains cable	Yes

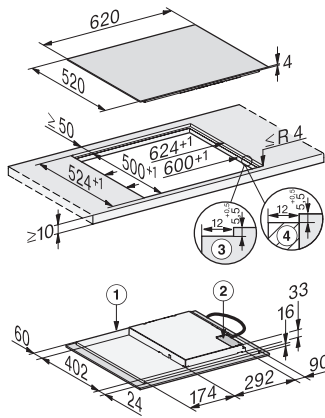
## KM 7363 FL

Induction hob with onset controls  
with flex cooking area for large cookware



KM7363FL surface-mounted (Installation drawing)

1) front, 2) Mains connection box, The mains connection cable (L = 1440 mm) is enclosed loose



KM7363FL flush (Installation drawing)

1) front, 2) Mains connection box, The mains connection cable (L = 1440 mm) is enclosed loosely, 3) Step milling natural stone worktop, 4) Wooden strip 12 mm (no supplied accessories)