

FNS 7740 D

Built-in freezer

with NoFrost and 8 freezer drawers on telescopic runners for max. convenience.



- No icing up of food and no need to defrost thanks to NoFrost
- Optimum and maintenance-free LED lighting in compartment
- Clever networking opens up new possibilities – Miele@home
- Food is frozen quickly and gently – SuperFreeze
- Soft closing of the door with SoftClose



EAN: 4002516721840 / Material number: 12387660 / Old Material Number: 37774040GB

Appliance category	
Freezer	•
Construction type	
Built-in appliance	•
Integrated appliance	•
Door hinge	Left
Convertible door hinging	•
Side-by-side enabled	•
Design	
Freezer compartment lighting	LED
User convenience	
Networking with Miele@home	•
NoFrost	•
VarioRoom	•
SoftClose	•
Control system	
Operating concept	SensorTouch
Independent temperature regulation of fridge and freezer zones	No
SuperFreeze	•
No. of temperature zones	1
Sabbath mode	•
Party mode	•
Freezer/Freezer section	
Number of freezer drawers	8
Efficiency and sustainability	
Energy efficiency class (A–G)	D
Annual energy consumption in kWh	189.80
Energy consumption in 24 h in kWh	0.52
Safety	
Lock function	•
Acoustic door alarm	•
Acoustic temperature alarm	•
Optical door alarm	•
Optical temperature alarm	•
Power cut indication for freezer section	•
Technical data	
Niche width in mm min.	560
Niche width in mm max.	570
Niche height in mm min.	1772
Niche height in mm max.	1788
Niche depth in mm	550
Appliance width in mm	559
Appliance height in mm	1770
Appliance depth in mm	546
Weight in kg	61.2
Door hinge technology	Fixed door
Max. door front weight – refrigerator, in kg	26
Climate class	SN-T
4* freezer compartment in l	213

FNS 7740 D

Built-in freezer

with NoFrost and 8 freezer drawers on telescopic runners for max. convenience.



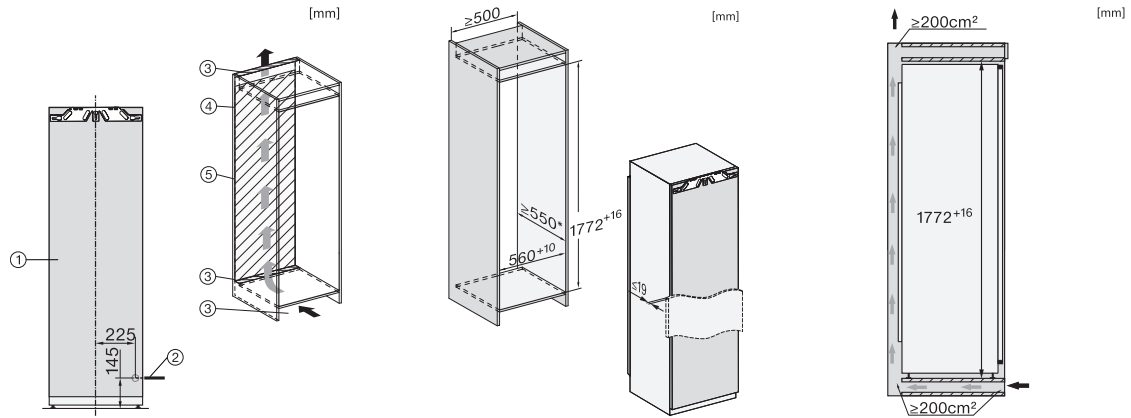
EAN: 4002516721840 / Material number: 12387660 / Old Material Number: 37774040GB

Total usable capacity in l	213
Storage time in case of fault in h	9
Freezer capacity in kg/24 h	12.00
Acoustic airborne noise emission class (A–D)	B
Sound emissions in dB(A) re 1 pW	33
Current consumption (mA)	1300
Voltage in V	220-240
Fuse rating in A	13
Number of phases	1
Frequency in Hz	50-60
Length of supply lead in m	2.2
Replacing lamps	Service
Accessories included	
Ice cube tray	•

FNS 7740 D

Built-in freezer

with NoFrost and 8 freezer drawers on telescopic runners for max. convenience.



K7733E, K7763E, K7732E, K7734F, K7764E, K7743E, K7744E, K7773D, K7774D (footnote*) (installation drawings)

*1. View from the front, 2. Mains connection cable, L = 2100 mm, 3. Ventilation cut-out min. 200 cm², 4. Ventilation, 5. No connections permitted in this area

K7733E, K7763E, K7732D, K7732E, K7734F, K7764E, K7743E, K7744E, K7773D, K7774D, built-in (footnote*) (drawings)

*The declared energy consumption was calculated in a 560 mm deep niche. The appliance is fully functional in a 550 mm niche but the energy consumption will be slightly higher.

K7733E, K7763E, K7732E, K7734F, K7764E, K7743E, K7744E, K7773D, K7774D, side view (installation drawings)