

DA 2450-1  
Extractor unit  
with energy-efficient LED lighting and rotary dials for easy use



- Customised kitchen design – fully integrated in ?? width
- Powerful – 590 m<sup>3</sup>/h at the highest level
- Efficient filtration- 10-ply stainless-steel grease filter
- Safe and easy to clean – Miele CleanCover
- Suitable for every home – for extraction or recirculation



EAN: 4002516718413 / Material number: 12350270 / Old Material Number: 28245056GB

<b>Construction type</b>	
Integrated extractor	•
<b>Construction type and design</b>	
Colour	Stainless steel
<b>Operating modes</b>	
Type of air guide	Can be retrofitted
Active charcoal filter (order separately)	DKF 15-P
<b>User convenience</b>	
Rotary knob	•
Electronic controls	•
Power levels (number without Booster level)	2
Booster levels	1
Easy-to-clean canopy interior – CleanCover	•
<b>Efficiency and sustainability</b>	
Energy efficiency class (A+++ – D)	A
Annual energy consumption in kWh/year	52.6
Fluid dynamic efficiency class	A
Lighting efficiency class	A
Grease filtering efficiency class	B
<b>Filter system</b>	
Number of dishwasher-safe stainless steel grease filters (10-ply)	1
<b>Lighting</b>	
LED	•
Number x W	2 x 3 W
Light intensity in lx	330 lx
Colour temperature in K	3000 Kelvin
<b>Fan</b>	
Dual-action fan	•
AC motor	•
<b>Exhaust air</b>	
Sound power in Level 1 (dB(A) re 1 pW) according to EN 60704-3	47.0
Sound power in Level 2 (dB(A) re 1 pW) according to EN 60704-3	54.0
Sound power in Level 3 (dB(A) re 1 pW) according to EN 60704-3	66.0
Sound pressure in Level 1 (dB(A) re 20 µPa) according to EN 60704-2-13	32.0
Sound pressure in Level 2 (dB(A) re 20 µPa) according to EN 60704-2-13	40.0
Sound pressure in Level 3 (dB(A) re 20 µPa) according to EN 60704-2-13	52.0
<b>Recirculation</b>	
Sound power in Level 1 (dB(A) re 1 pW) according to EN 60704-3	52.0
Sound power in Level 2 (dB(A) re 1 pW) according to EN 60704-3	61.0
Sound power in Level 3 (dB(A) re 1 pW) according to EN 60704-3	71.0
Sound pressure in Level 1 (dB(A) re 20 µPa) according to EN 60704-2-13	38.0

DA 2450-1

Extractor unit

with energy-efficient LED lighting and rotary dials for easy use



EAN: 4002516718413 / Material number: 12350270 / Old Material Number: 28245056GB

Sound pressure in Level 2 (dB(A) re 20 µPa) according to EN 60704-2-13	47.0
--	------

Sound pressure in Level 3 (dB(A) re 20 µPa) according to EN 60704-2-13	57.0
--	------

#### Technical data

Standard plug fitted	•
----------------------	---

Total rated load in kW	0.22
------------------------	------

Voltage in V	230
--------------	-----

Fuse rating in A	10
------------------	----

Number of phases	1
------------------	---

Frequency in Hz	50
-----------------	----

#### Installation notes

Extraction ducting connection at top	•
--------------------------------------	---

Extraction connection at top and rear	•
---------------------------------------	---

#### Accessories included

Non-return flap	•
-----------------	---

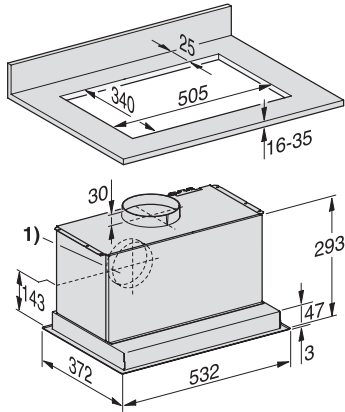
#### Optional accessories

Active charcoal filter	Ja
------------------------	----

DA 2450-1

Extractor unit

with energy-efficient LED lighting and rotary dials for easy use



DA2450, DA2450-1, DA2558 (Installation drawing)

1) Vent connection alternatively to rear, You will find further detailed measurements in the instructions for use!