

KFN 7734 C

Built-in fridge-freezer combination

DynaCool, convenient LED lighting and NoFrost for optimum storage.



- Spacious drawer with moisture control – DailyFresh
- Optimum and maintenance-free LED lighting in compartment
- No icing up of food and no need to defrost thanks to NoFrost
- Uniform temperature distribution inside the appliance – DynaCool
- Dishwasher-proof door shelves – ComfortClean



EAN: 4002516701422 / Material number: 12336440 / Old Material Number: 38773403GB

<b>Appliance category</b>	
Fridge-freezer	•
<b>Construction type</b>	
Built-in appliance	•
Integrated appliance	•
Door hinge	right
Convertible door hinging	•
<b>Design</b>	
Refrigeration section lighting	LED
<b>User convenience</b>	
Networking with Miele@home	•
Freshness system	DailyFresh
ComfortClean	•
DynaCool	•
NoFrost	•
DuplexCool	•
ComfortSize	•
VarioRoom	•
SoftClose	•
<b>Control system</b>	
Operating concept	SensorTouch
Fridge compartment can be switched off	Yes
Independent temperature regulation of fridge and freezer zones	Yes
Automatic SuperCool	•
SuperFreeze	•
No. of temperature zones	2
Sabbath mode	•
Party mode	•
Holiday mode	•
<b>Fridge/Fridge section</b>	
No. of shelves	5
including number of split shelves (FlexiBoard)	1
No. of crisper drawers	1
Number of inner door racks for tinned food	2
Door rack for bottles	1
Door shelves	3
<b>Freezer/Freezer section</b>	
Number of freezer drawers	3
<b>Efficiency and sustainability</b>	
Energy efficiency class (A–G)	C
Annual energy consumption in kWh	145.27
Energy consumption in 24 h in kWh	0.39
<b>Safety</b>	
Lock function	•
Acoustic door alarm	•
Acoustic temperature alarm	•
Optical door alarm	•
Optical temperature alarm	•
Power cut indication for freezer section	•

KFN 7734 C

Built-in fridge-freezer combination

DynaCool, convenient LED lighting and NoFrost for optimum storage.



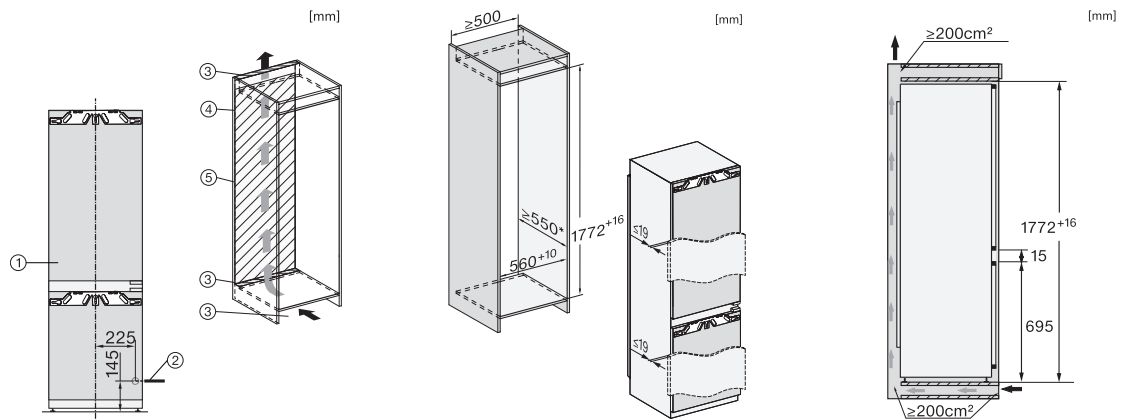
EAN: 4002516701422 / Material number: 12336440 / Old Material Number: 38773403GB

Technical data	
Niche width in mm min.	560
Niche width in mm max.	570
Niche height in mm min.	1772
Niche height in mm max.	1788
Niche depth in mm	550
Appliance width in mm	559
Appliance height in mm	1770
Appliance depth in mm	546
Weight in kg	63.6
Door hinge technology	Fixed door
Max. door front weight – refrigerator, in kg	18
Max. door front weight – freezer, in kg	12
Climate class	SN-T
Refrigerator compartment in l	183
4* freezer compartment in l	70
Total usable capacity in l	253
Storage time in case of fault in h	9
Freezer capacity in kg/24 h	6.00
Acoustic airborne noise emission class (A–D)	B
Sound emissions in dB(A) re 1 pW	33
Current consumption (mA)	1400
Voltage in V	220-240
Fuse rating in A	13
Number of phases	1
Frequency in Hz	50-60
Length of supply lead in m	2.2
Replacing lamps	Service
Accessories included	
Egg tray	•
Ice cube tray	•

## KFN 7734 C

Built-in fridge-freezer combination

DynaCool, convenient LED lighting and NoFrost for optimum storage.



KFN7734C, KFN7734F, KFN7734D, KFN7764D, KFN7785D, KFN7744E, KFN7774D, installation (footnote\*) (installation drawings)

\*1. View from the front, 2. Mains connection cable, L = 2100 mm, 3. Ventilation cut-out min. 200 cm<sup>2</sup>, 4. Ventilation, 5. No connections permitted in this area

KFN7734C, KFN7734F, KFN7734D, KFN7764D, KFN7785D, KFN7744E, KFN7774D, built-in (footnote\*) (installation drawings)

\*The declared energy consumption was calculated in a 560 mm deep niche. The appliance is fully functional in a 550 mm niche but the energy consumption will be slightly higher.

KFNS7734D, KFN7734C, KFN7734F, KFN7734D, KFN7764D, KFN7785D, KFN7744E, KFN7774D, side view (installation drawings)