

KMDA 7272 FR-U Silence

Induction hob with integrated vapour extraction

with Silence motor and 4 individual cooking zones for recirculation mode



- The quietest TwoInOne from Miele – Silence motor
- Flexible installation – Plug&Play or ducted recirculation mode
- Ample space – 4 round cooking zones
- Automatic fan power regulation – Con@ctivity
- Compact control using the numerical display – ComfortSelect Plus

EAN: 4002516658054 / Material number: 12246260 / Old Material Number: 26727209GB

Construction type	
Induction hob with integrated vapour extraction	•
Operating modes	
Recirculation air guided with optional accessories	DFK-xxxx, DUU 1500, DUU 600
Unguided recirculation air (Plug&Play installation)	Yes
Design	
Elegant glass ceramic surface	•
Ceramic surface colour	Black
Stainless steel frame	•
Frameless – surface-mounted	•
Flush fit extractor	•
Colour of cover grille	Black
Cooking zone details	
Number of cooking zones	4
Maximum number of pans	4
1st cooking zone/cooking area	
Position	front left
Type	Dual-circuit ring
Size in mm	Ø 110-220
Max. Booster power rating in W	3000
Max. rating in W	2300
2nd cooking zone/cooking area	
Position	rear left
Type	Dual-circuit ring
Size in mm	Ø 100-190
Max. Booster power rating in W	2100
Max. rating in W	1400
3rd cooking zone/cooking area	
Position	rear right
Type	Dual-circuit ring
Size in mm	Ø 110-220
Max. rating in W	2300
Max. Booster power rating in W	3000
4th cooking zone/cooking area	
Position	front right
Type	Dual-circuit ring
Size in mm	Ø 100-190
Max. rating in W	1400
Max. Booster power rating in W	2100
User convenience	
Operation via sensor controls	ComfortSelect Plus
Automatic function Con@ctivity 3.0	•
Digital power level display	•
Display colour	Yellow
Auto heat-up	•
Permanent pan recognition	•
Keeping warm	•
Stop & Go function	•
Recall function	•

KMDA 7272 FR-U Silence

Induction hob with integrated vapour extraction

with Silence motor and 4 individual cooking zones for recirculation mode



EAN: 4002516658054 / Material number: 12246260 / Old Material Number: 26727209GB

Safety switch-off	•
Individual setting options (e.g. buzzers)	•
Active charcoal filter saturation indicator	•
Run-on time 5/15 min.	•
Grease filter saturation indicator	•
Minute minder	•
Easy-to-clean canopy interior – CleanCover	•
Efficiency and sustainability	
ECO motor	•
Silence motor	•
Cleaning and care	
Easy to clean ceramic glass	•
Filter system	
Number of dishwasher-safe stainless steel grease filters (10-ply)	1
Recirculation	
Air throughput at min. level (m ³ /h) according to EN 61591	145
Air throughput at max. level (m ³ /h) according to EN 61591	465
Air throughput in Booster level 1 (m ³ /h) according to EN 61591	510
Sound power at min. level (dB(A) re 1 pW) according to EN 60704-3	47.0
Sound power at max. level (dB(A) re 1 pW) according to EN 60704-3	68.0
Sound pressure at min. level (dB(A) re 20 µPa) according to EN 60704-2-13	34.0
Sound power in Booster level 1 (dB(A) re 1 pW) acc. to EN 60704-3	70.0
Sound pressure at max. level (dB(A) re 20 µPa) according to EN 60704-2-13	55.0
Sound pressure in Booster level 1 (dB(A) re 20 µPa) acc. to EN 60704-2-13	57.0
Safety	
Safety switch-off	•
Lock function	•
System lock	•
Integrated cooling fan	•
Overheating protection	•
Residual heat indicator	•
Technical data	
Dimensions in mm (width)	800
Dimensions in mm (height)	194
Dimensions in mm (depth)	520
Cutout dimensions in mm (width) with surface-mounted installation	780
Cutout dimensions in mm (depth) with surface-mounted installation	500
Casing height incl. connection box in mm	194
Weight in kg	16
Total rated load in kW	7.50
Voltage in V	230
Frequency in Hz	50-60

KMDA 7272 FR-U Silence

Induction hob with integrated vapour extraction
with Silence motor and 4 individual cooking zones for recirculation mode



EAN: 4002516658054 / Material number: 12246260 / Old Material Number: 26727209GB

Length of supply lead in m

1.6

Accessories included

Mains cable

Yes

Active charcoal filter for recirculation mode

•

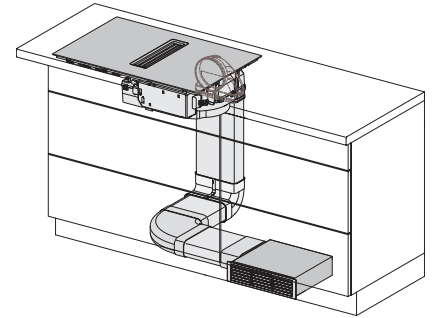
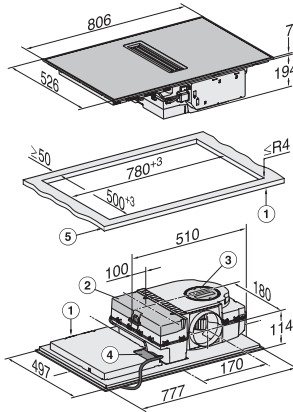
Plug&Play adapter

•

KMDA 7272 FR-U Silence

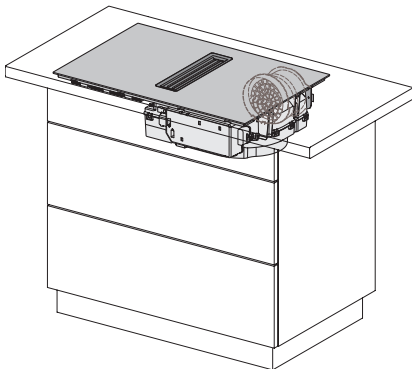
Induction hob with integrated vapour extraction
with Silence motor and 4 individual cooking zones for recirculation mode

	Abluftbetrieb	Geführter Umluftbetrieb	Plug&Play-Betrieb
KMDA 7272 FR-A	✓	–	–
KMDA 7272 FR-U	–	✓	✓/✓
KMDA 7272 FL-A	✓	–	–
KMDA 7272 FL-U	–	✓	✓/✓



KMDA7272FL/FR – Operating options

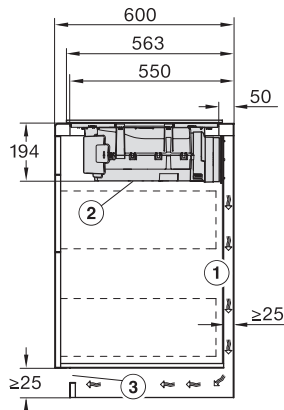
Possible, Possible – further accessories necessary, –
Programming must be changed – further accessories
necessary



KMDA7272FL/FR, KMDA7473FL/FR, Plug&Play
(Installation drawing)

KMDA7272FR, KMDA7473FR – Installation drawing

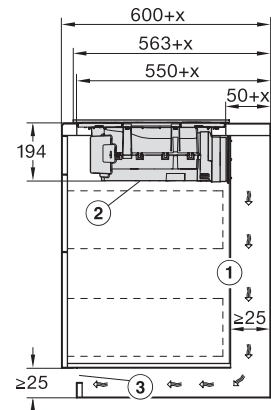
1) Front, 2) removable drip tray, 3) cleaning flap, 4)
Mains connection box with mains connection cable,
L = 1600 mm, 5) Worktop thickness, Exhaust air and
guided recirculation mode: ≥ 10 mm, Plug&Play operation:
 ≥ 10 mm – ≤ 40 mm



KMDA7272FR, KMDA7473FR – Side view lying on top,
Plug&Play – Installation drawing

A minimum distance of 25 mm must be maintained for
routing the exhaust air duct between the cabinet wall
and an adjacent room wall or furniture., The removable
collection tray and the cleaning flap must be accessible
after installation., The cross-section of the vent opening
must be at least 425 cm².

KMDA7272FL/FR, KMDA7473FL/FR, Air circulation (Installation drawing)



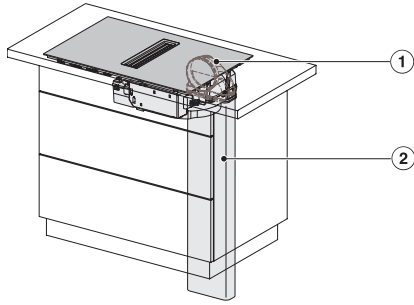
KMDA7272FR, KMDA7473FR – Side view lying on top+X,
Plug&Play – Installation drawing

A minimum distance of 25 mm must be maintained for
routing the exhaust air duct between the carcass wall and
an adjacent room wall or furniture. If the carcass rear wall
is > 555 mm from the worktop front, the Plug&Play adapter
must be extended with a supplementary set from Miele.,
The removable drip tray and the cleaning flap must be
accessible after installation., The cross-section of the vent
opening must be at least 425 cm²., , x Dimension by which
the worktop depth is greater than 600 mm.

KMDA 7272 FR-U Silence

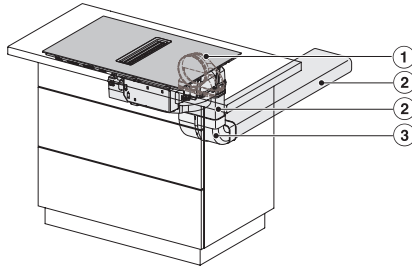
Induction hob with integrated vapour extraction

with Silence motor and 4 individual cooking zones for recirculation mode



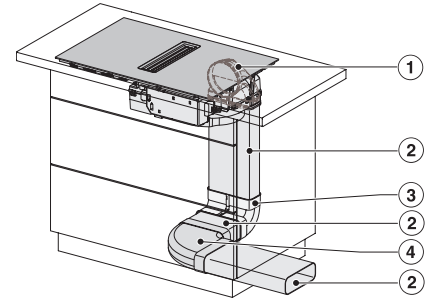
KMDA7272FL/FR, KMDA7473FL/FR – Installation variant 1 Basis -drawing

1) DFK-AK 90, 2) DFK-R 1000



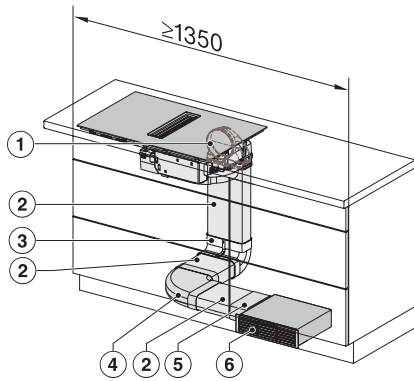
KMDA7272FL/FR, KMDA7473FL/FR – Installation variant 2 Basis – drawing

1) DFK-AK 90, 2) DFK-R 1000, 3) DFK-BV 90



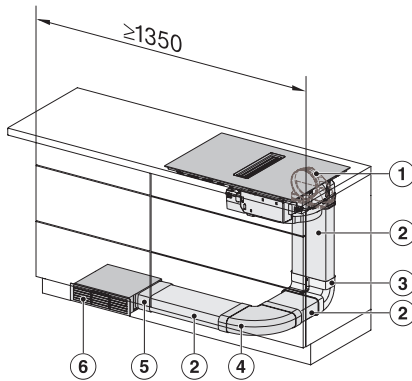
KMDA7272FL/FR, KMDA7473FL/FR -Installation variant 3 Basis – drawing

1) DFK-AK 90, 2) DFK-R 1000, 3) DFK-BV 90, 4) DFK-BH 90



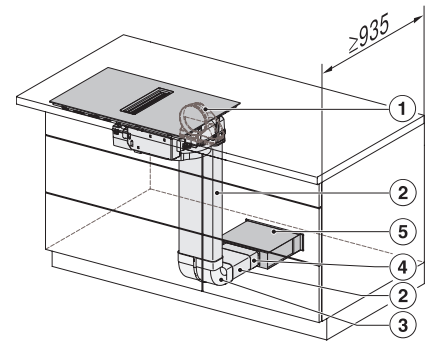
KMDA7272FL/FR, KMDA7473FL/FR – Installation variant 4 Circulating air – drawing

1) DFK-AK 90, 2) DFK-R 1000, 3) DFK-BV 90, 4) DFK-BH 90, 5) DFK-V, 6) DUU 1500, , The minimum width of the cabinet is 1350 mm.



KMDA7272FL/FR, KMDA7473FL/FR – Installation variant 5 Circulating air – drawing

1) DFK-AK 90, 2) DFK-R 1000, 3) DFK-BV 90, 4) DFK-BH 90, 5) DFK-V, 6) DUU 1500, , The minimum width of the cabinet is 1350 mm.



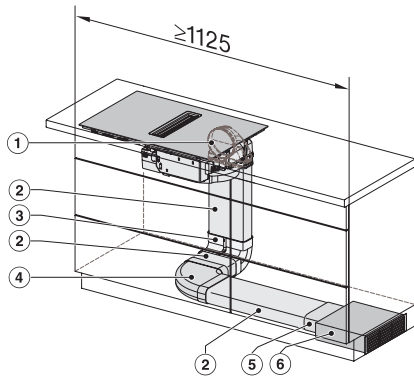
KMDA7272FL/FR, KMDA7473FL/FR – Installation variant 6 Circulating air – drawing

1) DFK-AK 90, 2) DFK-R 1000, 3) DFK-BV 90, 4) DFK-V, 5) DUU 1500, , The minimum depth of the cabinet is 935 mm.

KMDA 7272 FR-U Silence

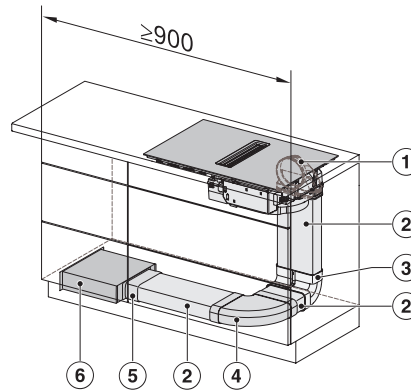
Induction hob with integrated vapour extraction

with Silence motor and 4 individual cooking zones for recirculation mode



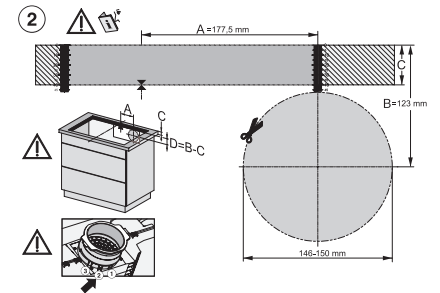
KMDA7272FL/FR, KMDA7473FL/FR – Installation variant 13 Circulating air – drawing

1) DFK-AK 90, 2) DFK-R 1000, 3) DFK-BV 90, 4) DFK-BH 90, 5) DFK-V, 6) DUU 1500, , The minimum width of the cabinet is 1125 mm.

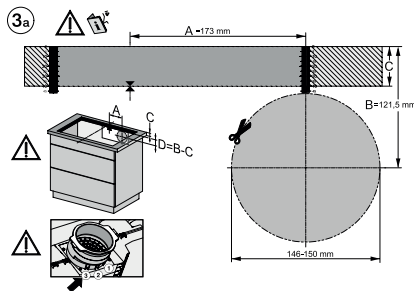


KMDA7272FL/FR, KMDA7473FL/FR – Installation variant 14 Circulating air – drawing

1) DFK-AK 90, 2) DFK-R 1000, 3) DFK-BV 90, 4) DFK-BH 90, 5) DFK-V, 6) DUU 1500, , The minimum width of the cabinet is 900 mm.



KMDA7272FL/FR, KMDA7473FL/FR – surface installation, drilling template, Installation drawing



KMDA7272FL/FR, KMDA7473FL/FR – surface installation, 21 cm, drilling template, Installation drawing