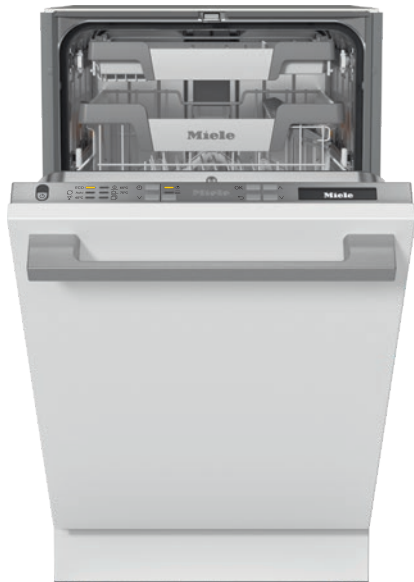


## G 5790 SCVi SL

Fully integrated dishwasher, 45 cm  
for optimum drying results thanks to AutoOpen drying.



- Perfect results in less than one hour – QuickPowerWash
- Save up to 50 % more electricity – hot water connection
- Everything completely dry – AutoOpen drying
- Very easy door opening and closing – ComfortClose
- Versatile and secure – ExtraComfort basket design

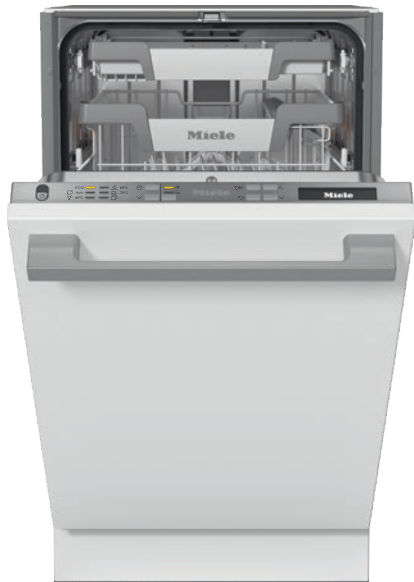


EAN: 4002516610441 / Material number: 12153420 / Old Material Number: 21579062GB

<b>Model</b>	
Fully integrated dishwasher	•
45 cm dishwasher	•
<b>Design</b>	
Control panel colour	Stainless steel/CleanSteel
Control panel version	Straight fascia
Control type	Programme selector button
Display	1-line text display
Display colour	White
MultiLingua	•
<b>Convenience</b>	
Door closing aid	ComfortClose
Time left display	•
Delay start up to 24 hours	•
In-operation indicator light	Display
<b>Efficiency and sustainability</b>	
Energy efficiency class (A–G)	C
Water consumption in the Automatic programme in l from	6.0
Water consumption of the ECO programme in litres per programme cycle	7.9
Electricity consumption in the ECO programme in kWh	0.55
Energy consumption of the ECO programme in kWh after 100 programme cycles	55
Consumption value in kWh in the ECO programme with hot water connection	0.29
Duration of ECO programme in minutes	210
Noise emission class	B
Noise emissions in dB(A)	44
EcoFeedback	•
EcoPower Technology	•
Proven hygiene	•
Hot water connection	•
Half load	•
<b>Quality of results</b>	
Fresh water dishwasher	•
SensorDry	•
Recirculation Turbothermic drying	•
Active condensation drying	•
BrilliantGlassCare	•
<b>Wash programmes</b>	
QuickPowerWash	•
ECO	•
Automatic	•
Intensive 75 °C	•
Gentle	•
ExtraQuiet 40 dB(A)	•
Appliance care	•
<b>Dishwashing options</b>	
Short	•
IntenseZone	•
Express	•

## G 5790 SCVi SL

Fully integrated dishwasher, 45 cm  
for optimum drying results thanks to AutoOpen drying.

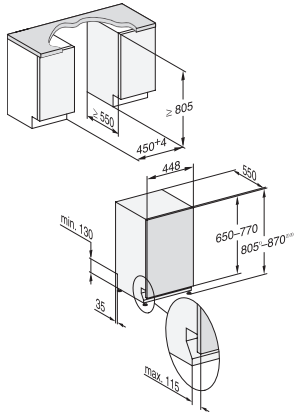


EAN: 4002516610441 / Material number: 12153420 / Old Material Number: 21579062GB

Extra Clean	•
Extra dry	•
<b>Basket design</b>	
Cutlery loading	MultiFlex tray 45
Basket design	ExtraComfort 45 cm
Number of place settings	9
<b>Safety</b>	
Waterproof system	•
Safety lock	•
<b>Technical data</b>	
Niche width minimal in mm	450
Niche width max in mm	450
Niche height minimal in mm	805
Niche height maximal in mm	870
Niche depth in mm	550
Appliance width in mm	448
Appliance height in mm	805
Appliance depth in mm	550
Depth with door open in cm	116.5
Net weight in kg	40.8
Total rated load in kW	2.00
Voltage in V	230
Fuse rating in A	10
Number of phases	1
Electrical frequency standard	50
Length of water inlet hose in cm	1.50
Length of water drain hose in cm	1.50
Length of supply lead in m	1.80
Min. front panel weight in kg	2.0
Max. front panel weight in kg	8.0
<b>Available display languages</b>	
Available display languages via MultiLingua	deutsch, english, español, français, italiano, nederlands, português, türkçe
<b>Accessories included</b>	
1 x UltraTabs box (20 tabs)	•
Voucher for 1 x box of UltraTabs (20 tabs) or 9 boxes at a reduced price	•

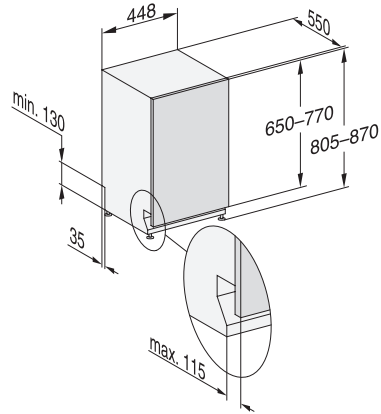
## G 5790 SCVi SL

Fully integrated dishwasher, 45 cm  
for optimum drying results thanks to AutoOpen drying.



G7000, fully integrated dishwasher, 45cm (installation drawing)

- 1) Plinth height 35-155 mm, 2) Plinth height 100-220 mm,
- 3) Appliance height max. 970 mm with plinth height conversion kit (Mat.-Nr. 6.394.761),



G7000, fully integrated dishwasher, 45cm (installation drawing)