

G 5310 SC Active Plus
Freestanding dishwashers
for optimum drying results thanks to AutoOpen drying.



- Perfect results in less than one hour – QuickPowerWash
- Innovative design and maximum convenience – 3D MultiFlex Tray
- Fresh water dishwashers – from 6.0 l litres in the Automatic programme
- Save up to 50 % more electricity – hot water connection
- Versatile and secure – comfort basket design



EAN: 4002516610359 / Material number: 12153260 / Old Material Number: 21531016GB

| | |
|---|---------------------------|
| Model | |
| Freestanding dishwasher | • |
| 60 cm dishwasher | • |
| Design | |
| Control panel colour | Brilliant White |
| Control panel version | Straight fascia |
| Control type | Programme selector button |
| Display | 3-digit 7-segment display |
| Display colour | White |
| Convenience | |
| Door closing aid | ComfortClose |
| Time left display | • |
| Delay start up to 24 hours | • |
| In-operation indicator light | acoustic |
| Efficiency and sustainability | |
| Energy efficiency class (A–G) | C |
| Water consumption in the Automatic programme in l from | 6.0 |
| Water consumption of the ECO programme in litres per programme cycle | 8.4 |
| Electricity consumption in the ECO programme in kWh | 0.74 |
| Energy consumption of the ECO programme in kWh after 100 programme cycles | 74 |
| Consumption value in kWh in the ECO programme with hot water connection | 0.40 |
| Duration of ECO programme in minutes | 199 |
| Noise emission class | B |
| Noise emissions in dB(A) | 44 |
| EcoPower Technology | • |
| Proven hygiene | • |
| Hot water connection | • |
| Half load | • |
| Quality of results | |
| Fresh water dishwasher | • |
| SensorDry | • |
| Recirculation Turbothermic drying | • |
| Active condensation drying | • |
| BrilliantGlassCare | • |
| Wash programmes | |
| QuickPowerWash | • |
| ECO | • |
| Automatic | • |
| Intensive 75 °C | • |
| Gentle | • |
| Dishwashing options | |
| Express | • |
| Extra Clean | • |
| Extra dry | • |
| Basket design | |
| Cutlery loading | 3D MultiFlex tray |
| FlexCare cup rack | 1 |
| Basket design | Comfort |

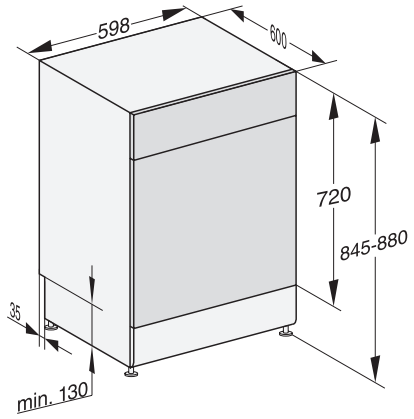
G 5310 SC Active Plus
 Freestanding dishwashers
 for optimum drying results thanks to AutoOpen drying.



EAN: 4002516610359 / Material number: 12153260 / Old Material Number: 21531016GB

| | |
|--|-------|
| Number of place settings | 14 |
| Safety | |
| Waterproof system | • |
| Safety lock | • |
| Technical data | |
| Niche width minimal in mm | 600 |
| Niche width max in mm | 600 |
| Niche height minimal in mm | 845 |
| Niche height maximal in mm | 880 |
| Niche depth in mm | 600 |
| Appliance width in mm | 598 |
| Appliance height in mm | 845 |
| Appliance depth in mm | 600 |
| Depth with door open in cm | 119.5 |
| Net weight in kg | 53.5 |
| Total rated load in kW | 2.00 |
| Voltage in V | 230 |
| Fuse rating in A | 10 |
| Number of phases | 1 |
| Electrical frequency standard | 50 |
| Length of water inlet hose in cm | 1.50 |
| Length of water drain hose in cm | 1.50 |
| Length of supply lead in m | 1.80 |
| Accessories included | |
| 1 x UltraTabs box (20 tabs) | • |
| Voucher for 1 x box of UltraTabs (20 tabs) or 9 boxes at a reduced price | • |

G 5310 SC Active Plus
Freestanding dishwashers
for optimum drying results thanks to AutoOpen drying.



G7000, free standing dishwasher, 60cm (installation drawing)