

H 2861 BP

Oven

mix and match design with networking, pyrolytic cleaning and FlexiClip runners.



- Clear text display with rotary controls – EasyControl Plus
- Minimal cleaning effort – Pyrolytic cleaning
- Network-enabled WiFi appliance – Miele@home
- Achieve perfect results with ease – automatic programmes

A+

EAN: 4002516642961 / Material number: 12143960 / Old Material Number: 22286145GB

Construction type and design	
Built-in oven	•
PureLine	•
Appliance Colour	Stainless steel/Clean Steel
Convenience features	
Rapid heat-up	•
Operating modes	
AirFry	•
Automatic programmes	•
Eco hot air	•
Grill operating modes	•
Grill	•
Fan plus	•
Intensive bake	•
Conventional heat	•
Fan grill	•
User convenience	
Networking with Miele@home	•
Display	EasyControl Plus
SoftOpen	•
SoftClose	•
MultiLingua	•
Time of day display	•
Minute minder	•
Programmable start of cooking duration	•
Programmable end of cooking duration	•
Programmable cooking duration	•
Actual temperature display	•
Target temperature display	•
Buzzer when desired temperature is reached	•
Recommended temperature	•
Individual settings	•
Efficiency and sustainability	
Energy efficiency class (A+++ – D)	A+
Power rating in off mode in W	0.5
Power rating in standby mode in W	1.0
Power rating in networked standby in W	2.0
Time until automatic switch to standby in min	20
Time until automatic switch to networked standby in min	20
Time until automatic switch to off mode in min	20
Cleaning and care	
Stainless steel/CleanSteel finish	•
Pyrolytic self-cleaning	•
CleanGlass door	•
Safety	
Appliance cooling system and touch-cool front	•
Safety switch-off	•
System lock	•
Door lock during pyrolytic cleaning	•

H 2861 BP

Oven

mix and match design with networking, pyrolytic cleaning and FlexiClip runners.



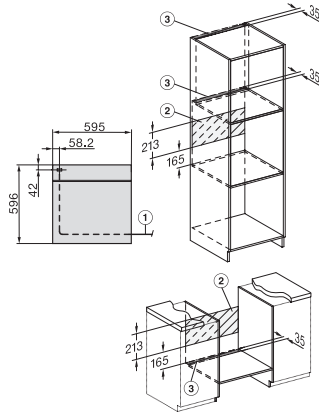
EAN: 4002516642961 / Material number: 12143960 / Old Material Number: 22286145GB

Technical data	
Oven compartment volume in l	76
No. of shelf levels	5
Number of shelf levels oven compartment 1	5
Number of shelf levels oven compartment 2	5
Numbered shelf levels	•
Oven light	1 halogen spot
Temperatures in °C	30–300
Temperatures min. in °C	30
Temperatures max. in °C	300
Niche width min. in mm	560
Niche width max. in mm	568
Niche height min. in mm	590
Niche height max. in mm	595
Niche depth in mm	550
Appliance width in mm	595
Appliance height in mm	596
Appliance depth in mm	569
Weight in kg	47.0
Total rated load in kW	3.60
Voltage in V	220-240
Frequency in Hz	50
Fuse rating in A	16
Number of phases	1
Length of supply lead in m	1.50
Replacing lamps	Customer
Accessories included	
Baking tray with PerfectClean	1
Universal tray with PerfectClean	1
Baking and roasting rack without PerfectClean	1
FlexiClip runners with PerfectClean	1
Removable side runners (pair)	1
Grilling and roasting insert with PerfectClean	1

## H 2861 BP

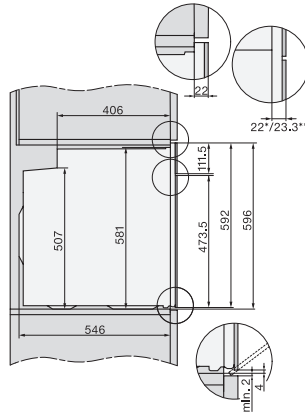
### Oven

mix and match design with networking, pyrolytic cleaning and FlexiClip runners.



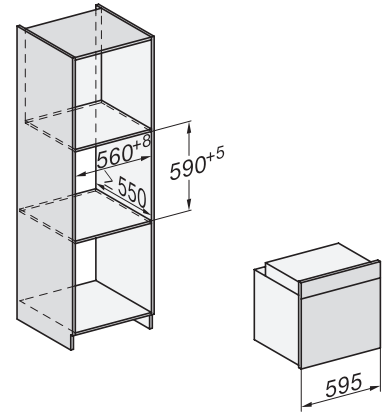
installation H7000 XL, installation drawing, GB, AU

1) Netzanschlussleitung, L=1500 mm, 2) In diesem Bereich kein Anschluss, 3) Lüftungsausschnitt min. 150 cm<sup>2</sup>

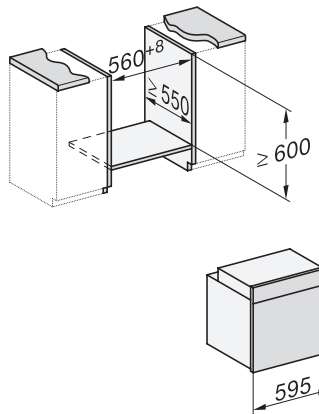


side view H7000 XL, installation drawings, GB, AU

22 mm – glass, 23.3 mm – metal

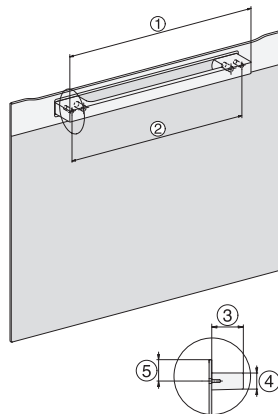


built-in H7000 XL, installation drawing



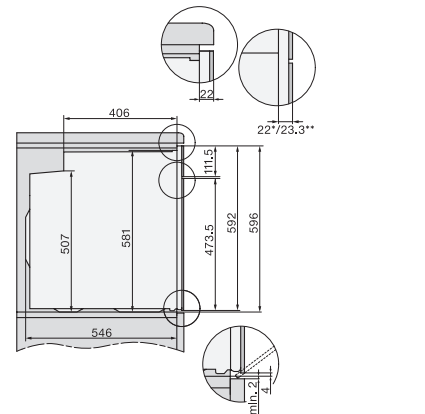
H226x-1B/BP/E/EP/IP, H2x6xB/BP, H7x6xB/BP/BPX, installation drawings

If the oven is to be installed under a hob, follow the instructions for installing the hob and the height of the hob.



DG2840, DG7x40, DGC7x4x, DG7x6x, DGC7x6x, DGD7635, DGM7x4x, DO7, H28B/BP, H7x4xB/BM/BP, H7x6xB/BP, installation drawing

1) 400 mm, 2) 360 mm, 3) 47 mm, 4) 24 mm, 5) 32.5 mm



side view H7000 XL build-under, installation drawing, GB, AU

22 mm – glass, 23.3 mm – metal