

H 7145 BM

Compact microwave combination oven
in an elegant black design with automatic programmes and combi modes.



- Clear text display with sensor controls – DirectSensor S
- Easy cleaning – compartment with PerfectClean & linen structure
- Faster and more consistent results – Quick & Gentle
- Network-enabled WiFi appliance – Miele@home
- Get what you want in one easy step – Quick MW and Popcorn button

EAN: 4002516604556 / Material number: 12105860 / Old Material Number: 22714526GB

Construction type	
Appliance Colour	Obsidian black
Construction type and design	
Built-in microwave combination oven	•
BlackLine	•
Convenience features	
Quick & Gentle	•
Rapid heat-up	•
Keeping warm	•
Operating modes	
Defrosting	•
Automatic programmes	•
Auto roast	•
Eco hot air	•
Grill	•
Fan plus	•
Microwave	•
Microwave with Auto roast	•
Microwave + Grill	•
Microwave + Fan plus	•
Microwave + Fan grill	•
Fan grill	•
User convenience	
Networking with Miele@home	•
Display	DirectSensor S
SoftOpen	•
SoftClose	•
MultiLingua	•
Popcorn function	•
Time of day display	•
Clock synchronisation	•
Minute minder	•
Programmable start of cooking duration	•
Programmable end of cooking duration	•
Programmable cooking duration	•
Actual temperature display	•
Target temperature display	•
Buzzer when desired temperature is reached	•
Recommended temperature	•
Suggestion microwave power	•
Quick microwave	•
Individual settings	•
Efficiency and sustainability	
Automatic residual heat utilisation	•
Power rating in off mode in W	0.5
Power rating in standby mode in W	1.0
Power rating in networked standby in W	2.0
Time until automatic switch to standby in min	20
Time until automatic switch to networked standby in min	20
Time until automatic switch to off mode in min	20

H 7145 BM

Compact microwave combination oven

in an elegant black design with automatic programmes and combi modes.



EAN: 4002516604556 / Material number: 12105860 / Old Material Number: 22714526GB

Cleaning and care

Stainless-steel oven compartment with linen structure and PerfectClean

•

Hinged grill element

•

CleanGlass door

•

Safety

Appliance cooling system and touch-cool front

•

Safety switch-off

•

System lock

•

Technical data

Oven compartment volume in l

43

No. of shelf levels

3

Number of shelf levels oven compartment 1

3

Number of shelf levels oven compartment 2

3

Oven light

1 LED spot

Temperatures in °C

30–225

Temperatures min. in °C

30

Temperatures max. in °C

225

Electronically controlled microwave power

•

Microwave power levels in W

Niche width min. in mm

560

Niche width max. in mm

568

Niche height min. in mm

450

Niche height max. in mm

452

Niche depth in mm

550

Appliance width in mm

595

Appliance height in mm

456

Appliance depth in mm

568

Weight in kg

36.0

Total rated load in kW

2.70

Voltage in V

220-240

Frequency in Hz

50

Fuse rating in A

16

Number of phases

1

Length of supply lead in m

2.00

Replacing lamps

Service

Accessories included

Baking and roasting rack with PerfectClean

1

Glass tray

1

Available display languages

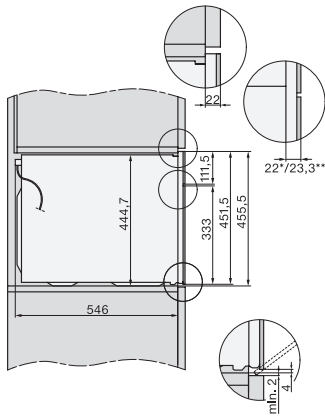
Available display languages via MultiLingua

bahasa malaysia, dansk, deutsch, english, español, français, hrvatski, italiano, magyar, nederlands, norsk, polski, portugês, русский, română, slovenčina, slovenščina, srpski, suomi, svenska, türkçe, українська, čeština, ελληνικά,

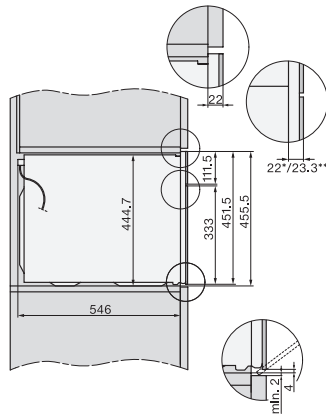
H 7145 BM

Compact microwave combination oven

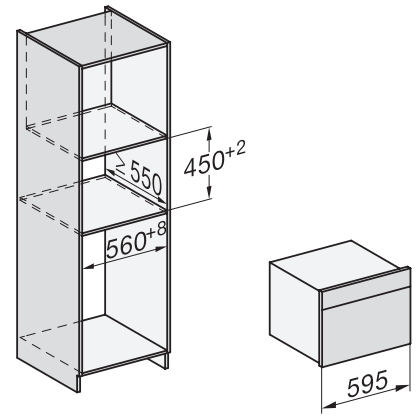
in an elegant black design with automatic programmes and combi modes.



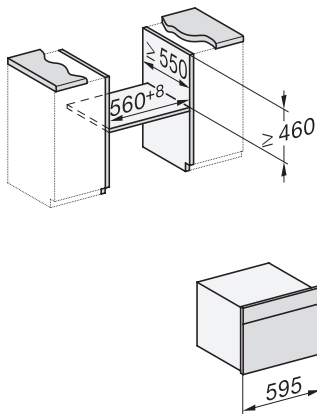
side view H7000 BM, installation drawings
22 mm – glass, 23,3 mm – metal



side view H7000 BM, installation drawings, GB, AUS
22 mm – glass, 23,3 mm – metal

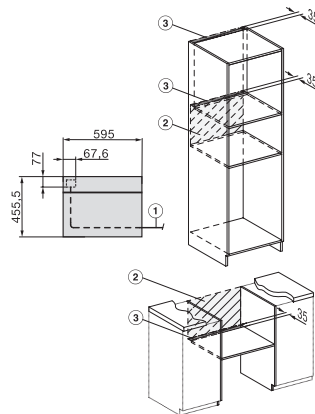


built-in H7000 BM, installation drawing



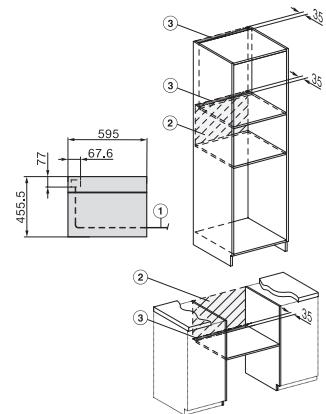
built-in H7000 BM build-under, installation drawings

If the oven is to be installed under a hob, follow the instructions for installing the hob and the height of the hob.



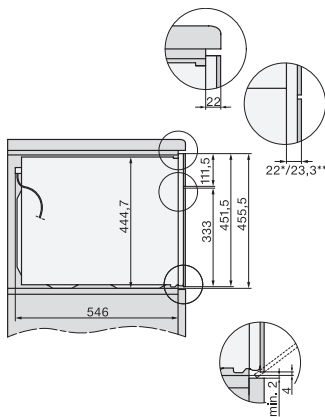
installation H7000 BM, installation drawing

1) Mains connection cable, L=2000 mm, 2) No connection in this area, 3) Lüftungsausschnitt min. 150 cm²

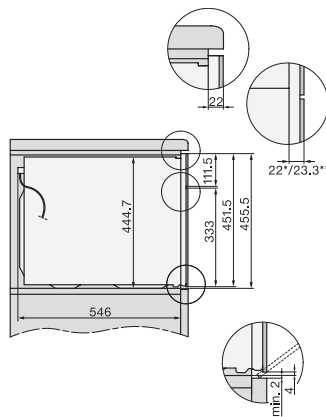


H7x40BM/BMX, installation drawings, GB, AUS

1) Mains connection cable, L=2000 mm, 2) No connection in this area, 3) Lüftungsausschnitt min. 150 cm²

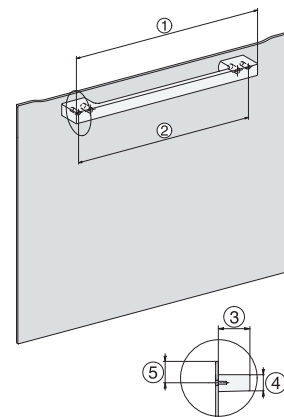


side view H7000 BM build-under, installation drawings
22 mm – glass, 23,3 mm – metal



side view H7000 BM build-under, installation drawing,
GB, AU

22 mm – glass, 23,3 mm – metal



H7x65BP, H7145BM, H7165B, H7365B, H2756B,
H2765B/BP, DGC7151, DGC7351 installation drawings

1) 474 mm, 2) 360 mm, 3) 43 mm, 4) 22,5 mm, 5) 32,5 mm