

DGC 7840 HCX Pro

Handleless compact combination steam oven

for steam cooking, baking, roasting with wireless food probe + HydroClean.



- Large touch display with proximity sensor – M Touch + MotionReact
- Perfect results – DualSteam technology
- Crispy outside, succulent inside – combination cooking
- Miele@home – network-enabled WiFi appliance + Mix & Match
- Easy cleaning – HydroClean and stainless steel oven compartment

A+

EAN: 4002516625384 / Material number: 12101460 / Old Material Number: 23784078GB

Construction type and design	
Steam combination oven	•
ArtLine	•
Handleless	•
Appliance Colour	Graphite grey
Convenience features	
Rapid heat-up	•
Pre-heating	•
External steam generation	•
Oxygen sensor	•
Individual humidity settings in combination cooking	•
Menu cooking without transfer of taste	•
Mix & Match	•
Food probe	Without cable
Automatic programmes with ability to make individual adjustments	•
Keeping warm	•
Crisp function	•
Operating modes	
Defrost	•
Automatic programmes	•
Country-specific automatic programmes	•
Combination cooking	•
Combination cooking with Fan plus	•
Combination cooking with Conventional heat	•
Combination cooking with grill large	•
Steam cooking	•
Sous-vide	•
Reheat	•
Roast with moisture	•
Grill operating modes	•
Grill	•
Economy grill	•
Fan plus	•
Intensive bake	•
Cake plus	•
Conventional heat	•
Top heat	•
Bottom heat	•
Fan grill	•
Eco hot air	•
Eco steam cooking	•
Plate warming	•
Special applications	•
User convenience	
Networking with Miele@home	•
Display	M Touch
MotionReact proximity sensor	•
MotionReact: light comes on when movement is detected	•

DGC 7840 HCX Pro

Handleless compact combination steam oven

for steam cooking, baking, roasting with wireless food probe + HydroClean.



EAN: 4002516625384 / Material number: 12101460 / Old Material Number: 23784078GB

MotionReact: display comes on when movement is detected	•
MotionReact: audible signal is acknowledged when movement is detected	•
MotionReact: detection of cabinet fronts	•
SoftOpen	•
Touch2Open	•
MultiLingua	•
MyMiele	•
Help function	•
Motorised lift-up control panel with SoftClose	•
Quantity-independent cooking	•
Steam cooking on up to 3 levels at the same time	•
Automatic menu cooking	•
Steam reduction before end of programme	•
Polyphonic buzzers	•
Time of day display	•
Date display	•
Minute minder	•
Programmable start of cooking duration	•
Programmable end of cooking duration	•
Programmable cooking duration	•
Actual temperature display	•
Target temperature display	•
Buzzer when desired temperature is reached	•
Recommended temperature	•
User programmes	•
Individual settings	•
Efficiency and sustainability	
Energy efficiency class (A+++ – D)	A+
Power rating in off mode in W	0.5
Power rating in standby mode in W	1.0
Power rating in networked standby in W	2.0
Time until automatic switch to standby in min	20
Time until automatic switch to networked standby in min	20
Time until automatic switch to off mode in min	20
Cleaning and care	
Stainless-steel oven compartment with linen structure	•
Hinged grill element	•
External steam generator	•
HydroClean	•
Maintenance programmes	•
Soak programme	•
Rinse programme	•
Oven compartment drying programme	•
Quick-release side racks	•
Removable stainless-steel side racks	•
Automatic descaling	•
CleanGlass door	•
Steam techn./water supply	
DualSteam	•

DGC 7840 HCX Pro

Handleless compact combination steam oven

for steam cooking, baking, roasting with wireless food probe + HydroClean.

EAN: 4002516625384 / Material number: 12101460 / Old Material Number: 23784078GB

Steam generator power in kW	3.30
Fresh water container volume in l	1.4
Fresh water container behind motorised control panel	•
Condensate container behind motorised lift-up control panel with SoftClose	•
Drain filter	•
Safety	
Appliance cooling system and touch-cool front	•
Safety switch-off	•
System lock	•
Vapour cooling system	•
Sensor lock	•
Technical data	
Oven compartment volume in l	47
No. of shelf levels	3
Numbered shelf levels	•
Door hinge	Bottom
Oven light	BrilliantLight
Oven mode temperatures min. in °C	30
Oven mode temperatures max. in °C	230
Steam-cooking mode temperatures min. in °C	40
Steam-cooking mode temperatures max. in °C	100
Niche width min. in mm	560
Niche width max. in mm	568
Niche height min. in mm	450
Niche height max. in mm	452
Niche depth in mm	550
Appliance width in mm	0
Appliance height in mm	0
Appliance depth in mm	0
Weight in kg	40.2
Total rated load in kW	3.40
Voltage in V	230
Frequency in Hz	50
Fuse rating in A	16
Number of phases	1
Mains cable with plug	•
Length of supply lead in m	2
Replacing lamps	Service
Accessories included	
Universal tray with PerfectClean	1
Baking and roasting rack with PerfectClean	1
FlexiClip runners with PerfectClean	1
Removable side runners (pair)	1
No. of perforated stainless-steel cooking container	2
No. of solid stainless-steel cooking containers	1
HydroClean cleaning agent	1
Descaling tablets	2

DGC 7840 HCX Pro

Handleless compact combination steam oven

for steam cooking, baking, roasting with wireless food probe + HydroClean.



EAN: 4002516625384 / Material number: 12101460 / Old Material Number: 23784078GB

Available display languages

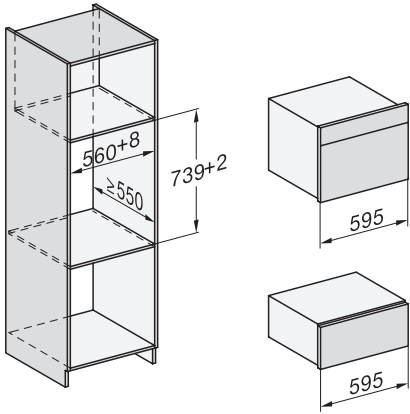
Available display languages via MultiLingua

bahasa malaysia, dansk,
deutsch, english, español,
français, hrvatski, italiano,
magyar, nederlands,
norsk, polski, portugês,
русский, română,
slovenčina, slovenščina,
srpski, suomi, svenska,
türkçe, українська, čeština,
ελληνικά, , , , ,

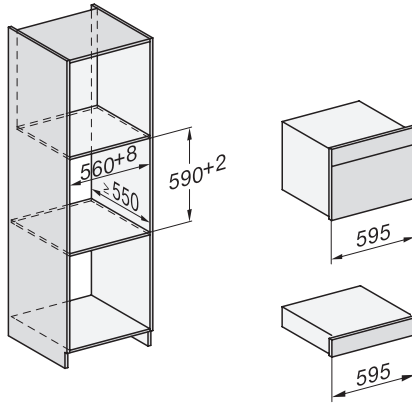
DGC 7840 HCX Pro

Handleless compact combination steam oven

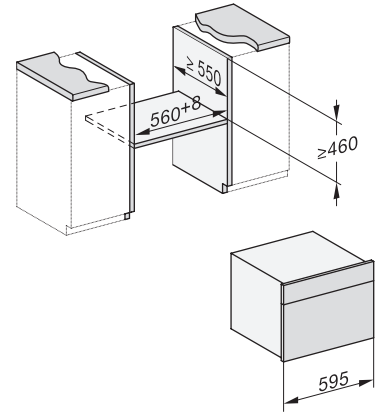
for steam cooking, baking, roasting with wireless food probe + HydroClean.



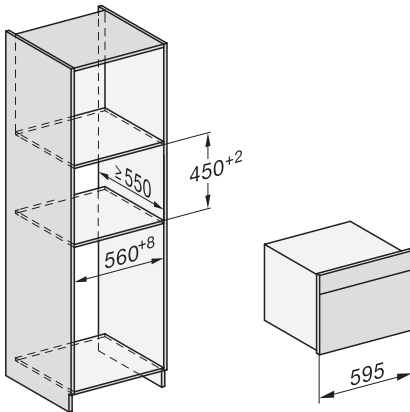
ESW7x20, DGC7x4xHCPro, DGC7x4xHCXPro installation drawings



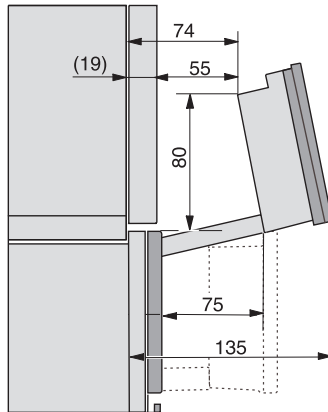
ESW7x10, DGC7x4xHCPro, DGC7x4xHCXPro, installation drawings



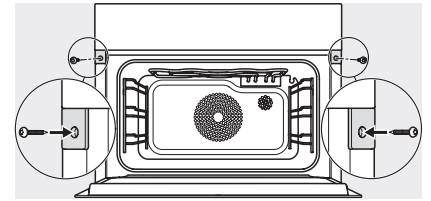
built-in DG DGM DGC XL build-under, installation drawing



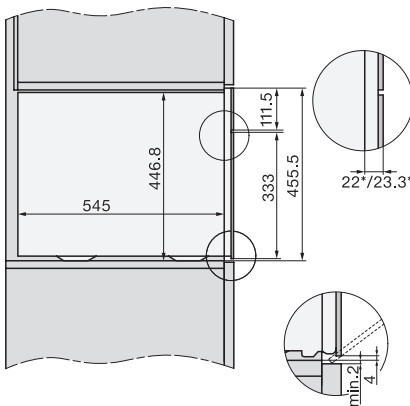
DGC7x4x built-in tall cabinet, installation drawing



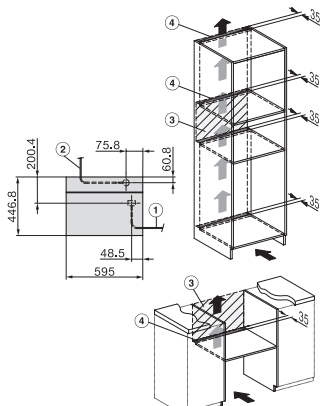
DGC7x4x swivel range of the aperture, installation drawings



screw joint DGC XL, installation drawing



side view DGC XL, installation drawing, GB, AU
22 mm glass, 23,3 mm stainless steel



installation DGC XL, installation drawing, GB, AU

- 1) Front view, 2) Mains connection cable, L=2,000 mm,
- 3) ventilation cut-out min. 180 cm², 4) no connection in this area