

TEL785WP EcoSpeed&Steam&9kg  
T1 heat-pump dryer:  
with SteamFinish, DryCare 40 and SilenceDrum for gentle drying.



- Less ironing, more freshness – SteamFinish
- Pleasantly quiet drying – SilenceDrum
- DryCare 40 – dries almost anything that can be washed at 40 °C
- Faster drying combined with maximum energy efficiency – EcoSpeed
- Versatile and convenient thanks to networking – Miele@home

**A+++**

EAN: 4002516476269 / Material number: 11871900 / Old Material Number: 12EL7852GB

<b>Construction type</b>	
Suitable for stacking	•
Side-by-side	•
Slot-in	•
Can be built-under	•
Door hinge	left
<b>Model</b>	
Product brand	T1 Chrome Edition
Heat pump dryer	•
<b>Design</b>	
Appliance colour	Lotus white
Control panel colour	Lotus white
Rotary selector colour	Lotus White / Chrome ring
Control panel version	Straight
Control type	Rotary control
Display	ComfortSensor white, 1 line
<b>Drying results</b>	
PerfectDry precision drying	•
FragranceDos <sup>2</sup> fragrance system	•
Intelligent drum reversal	•
Proven hygiene	•
Proven virus hygiene	•
<b>Gentle laundry care</b>	
SilenceDrum	•
Load in kg	9.0
<b>User convenience</b>	
Networking with Miele@home	•
Wash2Dry	•
Delay start up to 24 hours	•
Time left display	•
Programme sequence indicator	No
Drum lighting	LED
MultiLingua	•
Acoustics package for the lowest sound emissions	•
Condensate container	•
Integrated condensed water drainage	•
AddLoad	•
<b>Efficiency and sustainability</b>	
Energy efficiency class (A+++ – D)	A+++
Annual energy consumption in kWh	185
Duration in minutes in the standard programme	184
Noise in the Cottons programme with full load in db(A) re 1 pW	64
Condensation efficiency class	A
Energy consumption in kWh in the Cottons Normal dry standard programme with a full load	1.55
EcoFeedback	•
EcoDry technology	•
Maintenance-free heat exchanger	•
ProfiEco motor	•

TEL785WP EcoSpeed&Steam&9kg

T1 heat-pump dryer:

with SteamFinish, DryCare 40 and SilenceDrum for gentle drying.



EAN: 4002516476269 / Material number: 11871900 / Old Material Number: 12EL7852GB

EcoSpeed	•
<b>Drying programmes</b>	
Automatic plus	•
Cottons (coloureds)	•
Cottons arrow	•
Minimum iron	•
Delicates	•
Shirts	•
Silks handcare	•
Woollens handcare	•
Express	•
Denim	•
Outerwear	•
Proofing	•
Sportswear	•
Standard pillows	•
Cool air	•
Warm air	•
Basket programme	•
Pre-Ironing	•
Bed linen	•
Steam care	•
<b>Drying extras</b>	
Anti-crease	•
Buzzer	•
DryCare 40	•
DryFresh	•
PowerFresh	•
<b>Quality</b>	
Soft ribs	•
<b>Safety</b>	
PIN-Code	•
Empty out container indicator	•
Clean filter indication	•
Optical interface	•
<b>Technical data</b>	
Dimensions in mm (width)	596
Dimensions in mm (height)	850
Dimensions in mm (depth)	636
Appliance depth in mm with opened door	1054
Weight in kg	56
Total rated load in kW	1.10
Voltage in V	220-240
Fuse rating in A	13
Frequency in Hz	50
Length of supply lead in m	2.0
Hermetically sealed	•
Type of coolant	R290
Refrigerant quantity in kg	0.14
Refrigerant global warming potential in CO <sub>2</sub> e	3
Appliance global warming potential in CO <sub>2</sub> e	0.42

TEL785WP EcoSpeed&Steam&9kg  
 T1 heat-pump dryer:  
 with SteamFinish, DryCare 40 and SilenceDrum for gentle drying.



EAN: 4002516476269 / Material number: 11871900 / Old Material Number: 12EL7852GB

Replacing lamps

Service

**Accessories included**

Fragrance flacon

•

Voucher for a second fragrance flacon

•

**Available display languages**

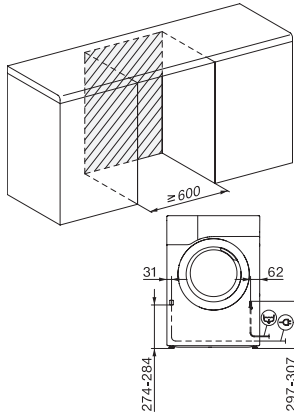
Available display languages via MultiLingua

bahasa malaysia, dansk, deutsch, english (AU), english (GB), english (US), español, français (CA), français (FR), hrvatski, italiano, magyar, nederlands, norsk, polski, portugûês, русский, română, slovenčina, slovenščina, srpski, suomi, svenska, türkçe, українська, čeština, ελληνικά, , , ,

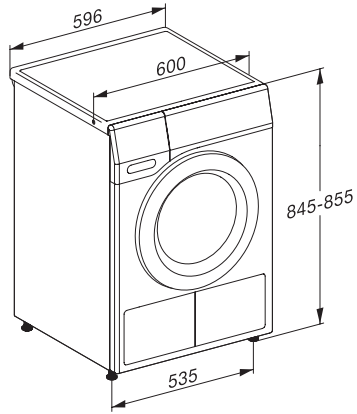
TEL785WP EcoSpeed&Steam&9kg

T1 heat-pump dryer:

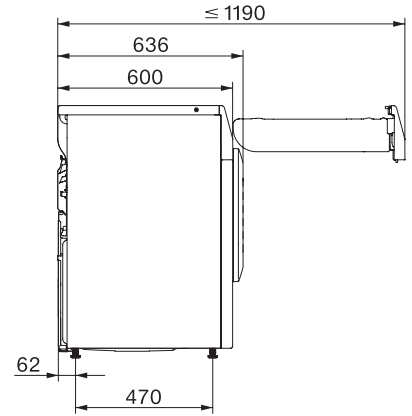
with SteamFinish, DryCare 40 and SilenceDrum for gentle drying.



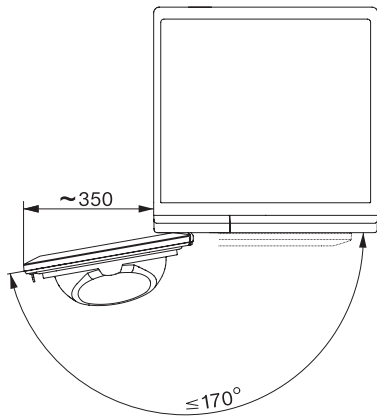
T1 installation drawing, slanted facia or straight facia, measures in mm



T1 drawing, slanted facia or straight facia, measures in mm



T1 drawing, slanted facia or straight facia, with porthole, measures in mm



T1 drawing, slanted facia or straight facia, measures in mm