

TEH785WP EcoSpeed&9kg

T1 heat-pump dryer:

with DryCare 40 and SilenceDrum for quiet drying with maximum convenience.



- Pleasantly quiet drying – SilenceDrum
- DryCare 40 – dries almost anything that can be washed at 40 °C
- Faster drying combined with maximum energy efficiency – EcoSpeed
- Quickly switch between 2 favourite fragrances – FragranceDos²
- Versatile and convenient thanks to networking – Miele@home

A+++

EAN: 4002516475996 / Material number: 11871830 / Old Material Number: 12EH7852GB

Construction type	
Suitable for stacking	•
Side-by-side	•
Slot-in	•
Can be built-under	•
Door hinge	left
Model	
Product brand	T1 Chrome Edition
Heat pump dryer	•
Design	
Appliance colour	Lotus white
Control panel colour	Lotus white
Rotary selector colour	Lotus White / Chrome ring
Control panel version	Straight
Control type	Rotary control
Display	DirectSensor white, 7 segment
Drying results	
PerfectDry precision drying	•
FragranceDos ² fragrance system	•
Intelligent drum reversal	•
Proven hygiene	•
Proven virus hygiene	•
Gentle laundry care	
SilenceDrum	•
Load in kg	9.0
User convenience	
Networking with Miele@home	•
Wash2Dry	•
Delay start up to 24 hours	•
Time left display	•
Programme sequence indicator	No
Drum lighting	LED
Acoustics package for the lowest sound emissions	•
Condensate container	•
Integrated condensed water drainage	•
AddLoad	•
Efficiency and sustainability	
Energy efficiency class (A+++ – D)	A+++
Annual energy consumption in kWh	185
Duration in minutes in the standard programme	184
Noise in the Cottons programme with full load in db(A) re 1 pW	64
Condensation efficiency class	A
Energy consumption in kWh in the Cottons Normal dry standard programme with a full load	1.55
EcoDry technology	•
Maintenance-free heat exchanger	•
ProfiEco motor	•
EcoSpeed	•

TEH785WP EcoSpeed&9kg

T1 heat-pump dryer:

with DryCare 40 and SilenceDrum for quiet drying with maximum convenience.



EAN: 4002516475996 / Material number: 11871830 / Old Material Number: 12EH7852GB

Drying programmes	
Cottons (coloureds)	•
Cottons arrow	•
Minimum iron	•
Delicates	•
Shirts	•
Woollens handcare	•
Express	•
Proofing	•
Bed linen	•
Warm air/DryFresh	•
Drying extras	
Anti-crease	•
Buzzer	•
DryCare 40	•
Quality	
Soft ribs	•
Safety	
PIN-Code	•
Empty out container indicator	•
Clean filter indication	•
Optical interface	•
Technical data	
Dimensions in mm (width)	596
Dimensions in mm (height)	850
Dimensions in mm (depth)	636
Appliance depth in mm with opened door	1054
Weight in kg	57
Total rated load in kW	1.10
Voltage in V	220-240
Fuse rating in A	13
Frequency in Hz	50
Length of supply lead in m	2.0
Hermetically sealed	•
Type of coolant	R290
Refrigerant quantity in kg	0.14
Refrigerant global warming potential in CO ₂ e	3
Appliance global warming potential in CO ₂ e	0.42
Replacing lamps	Service
Accessories included	
Fragrance flacon	•
Voucher for a second fragrance flacon	•

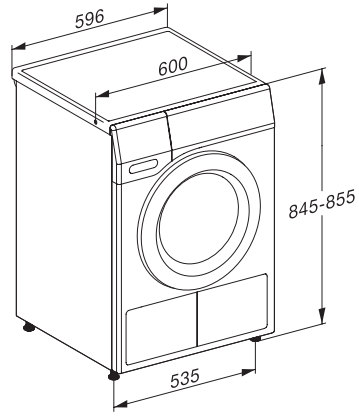
TEH785WP EcoSpeed&9kg

T1 heat-pump dryer:

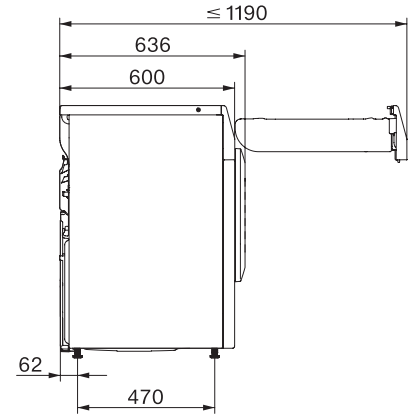
with DryCare 40 and SilenceDrum for quiet drying with maximum convenience.



T1 installation drawing, slanted facia or straight facia, measures in mm



T1 drawing, slanted facia or straight facia, measures in mm



T1 drawing, slanted facia or straight facia, with porthole, measures in mm



T1 drawing, slanted facia or straight facia, measures in mm