

TED265WP 8kg  
T1 heat-pump dryer:  
with A++ and Miele@home for intelligent laundry care.



- Versatile and convenient thanks to networking – Miele@home
- Savings for the life of your tumble dryer – EcoDry technology
- Fragrant laundry just the way you like it – FragranceDos
- Precision drying of all fabrics – PerfectDry
- Easy fingertip operation – DirectSensor

**A++**

EAN: 4002516488514 / Material number: 11871740 / Old Material Number: 12ED2652GB

<b>Construction type</b>	
Suitable for stacking	•
Side-by-side	•
Slot-in	•
Can be built-under	•
Door hinge	left
<b>Model</b>	
Product brand	T1 Chrome Edition
Heat pump dryer	•
<b>Design</b>	
Appliance colour	Lotus white
Control panel colour	Lotus white
Door design	Graphite grey PearlFinish
Rotary selector colour	Lotus White
Control panel version	Straight
Control type	Rotary control
Display	DirectSensor white, 7 segment
<b>Drying results</b>	
PerfectDry precision drying	•
FragranceDos fragrance system	•
Intelligent drum reversal	•
<b>Gentle laundry care</b>	
Honeycomb drum	•
Load in kg	8.0
<b>User convenience</b>	
Networking with Miele@home	•
Wash2Dry	•
Delay start up to 24 hours	•
Time left display	•
Programme sequence indicator	No
Drum lighting	LED
Condensate container	•
Integrated condensed water drainage	•
AddLoad	•
<b>Efficiency and sustainability</b>	
Energy efficiency class (A+++ – D)	A++
Annual energy consumption in kWh	192
Duration in minutes in the standard programme	165
Noise in the Cottons programme with full load in db(A) re 1 pW	66
Condensation efficiency class	A
Energy consumption in kWh in the Cottons Normal dry standard programme with a full load	1.55
EcoDry technology	•
Maintenance-free heat exchanger	•
ProfiEco motor	•
<b>Drying programmes</b>	
Cottons (coloureds)	•
Cottons arrow	•
Minimum iron	•

TED265WP 8kg  
T1 heat-pump dryer:  
with A++ and Miele@home for intelligent laundry care.



EAN: 4002516488514 / Material number: 11871740 / Old Material Number: 12ED2652GB

Delicates	•
Shirts	•
Woollens handcare	•
Express	•
Proofing	•
Bed linen	•
Warm air/DryFresh	•
<b>Drying extras</b>	
Anti-crease	•
Gentle tumble	•
Buzzer	•
<b>Quality</b>	
Soft ribs	•
<b>Safety</b>	
PIN-Code	•
Empty out container indicator	•
Clean filter indication	•
Optical interface	•
<b>Technical data</b>	
Dimensions in mm (width)	596
Dimensions in mm (height)	850
Dimensions in mm (depth)	636
Appliance depth in mm with opened door	1054
Weight in kg	53
Total rated load in kW	1.10
Voltage in V	220-240
Fuse rating in A	13
Frequency in Hz	50
Length of supply lead in m	2.0
Hermetically sealed	•
Type of coolant	R290
Refrigerant quantity in kg	0.11
Refrigerant global warming potential in CO <sub>2</sub> e	3
Appliance global warming potential in CO <sub>2</sub> e	0.33
Replacing lamps	Service
<b>Accessories included</b>	
Fragrance flacon	•

TED265WP 8kg

T1 heat-pump dryer:

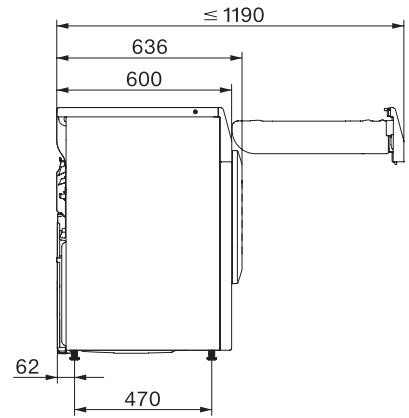
with A++ and Miele@home for intelligent laundry care.



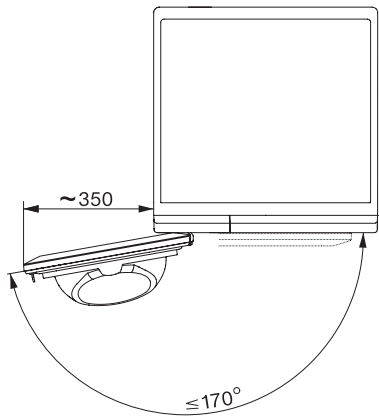
T1 installation drawing, slanted facia or straight facia, measures in mm



T1 drawing, slanted facia or straight facia, measures in mm



T1 drawing, slanted facia or straight facia, with porthole, measures in mm



T1 drawing, slanted facia or straight facia, measures in mm