

KM 7699 FR

Induction hob with onset controls
with TempControl for perfect frying results



- Intuitive quick selection via number sequences – Smart Select
- 5 cooking zones incl. 1 PowerFlex area and 1 TempControl zone
- A width of 942 mm with stainless steel frame for surface installation
- Shortest heating-up times – TwinBooster
- Communication with the hood – automatic Con@ctivity function

EAN: 4002516338796 / Material number: 11515550 / Old Material Number: 26769900GB

Heating type	
Heating type	Induction
Construction type	
Independent of cooker	•
Design	
Elegant glass ceramic surface	•
Ceramic surface colour	Black
Stainless steel frame	•
Surface-mounted installation	•
Cooking zone details	
Number of cooking zones	5
Number of cooking areas	1
Maximum number of pans	5
PowerFlex cooking zones	
No.	2
Type	PowerFlex cooking zone
Diameter in mm	Ø 150 – 230
Rating in W	2100
Booster in W	3000
TwinBooster in W	3650
1st cooking zone/cooking area	
Position	front left
Type	Dual-circuit ring
Size in mm	Ø 100-160
Max. Booster power rating in W	1700
Max. rating in W	1400
Max. TwinBooster power rating in W	2200
2nd cooking zone/cooking area	
Position	rear left
Type	TempControl cooking zone
Size in mm	Ø 160-230
Max. Booster power rating in W	3000
Max. rating in W	2300
Max. TwinBooster power rating in W	3650
3rd cooking zone/cooking area	
Position	rear centre
Type	Dual-circuit ring
Size in mm	Ø 180-280
Max. Booster power rating in W	3000
Max. rating in W	2600
Max. TwinBooster power rating in W	3650
4th cooking zone/cooking area	
Position	right
Type	PowerFlex bridge
Size in mm	230x390
Max. Booster power rating in W	4800
Max. rating in W	3400
Max. TwinBooster power rating in W	7300
User convenience	
Miele@home	•

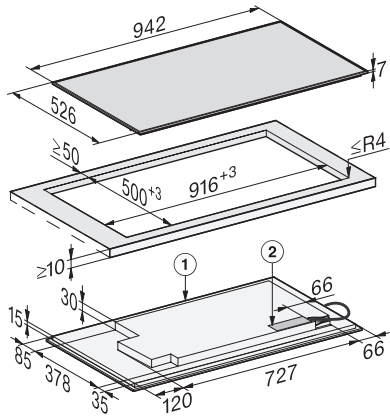
KM 7699 FR
 Induction hob with onset controls
 with TempControl for perfect frying results



EAN: 4002516338796 / Material number: 11515550 / Old Material Number: 26769900GB

Operation via sensor controls	Smart Select
Automatic function Con@ctivity 3.0	•
Pan and pan size recognition	•
Display colour	Yellow
Auto heat-up	•
Permanent pan recognition	•
Keeping warm	•
Stop & Go function	•
Recall function	•
TempControl	•
Safety switch-off	•
Keeping warm plus	•
Individual setting options (e.g. buzzers)	•
Wipe protection	•
Minute minder	•
Efficiency and sustainability	
Power rating in off mode in W	0.5
Power rating in standby mode in W	1.0
Power rating in networked standby in W	2.0
Time until automatic switch to off mode in min	20
Time until automatic switch to standby in min	20
Time until automatic switch to networked standby in min	20
Cleaning and care	
Easy to clean ceramic glass	•
Safety	
Safety switch-off	•
Lock function	•
System lock	•
Integrated cooling fan	•
Overheating protection	•
Residual heat indicator	•
Technical data	
Dimensions in mm (width)	942
Dimensions in mm (height)	52
Dimensions in mm (depth)	526
Cutout dimensions in mm (width) with surface-mounted installation	916
Cutout dimensions in mm (depth) with surface-mounted installation	500
Casing height incl. connection box in mm	45
Weight in kg	16
Total rated load in kW	11.00
Length of supply lead in m	1.4
Voltage in V	230
Frequency in Hz	50-60
Accessories included	
Mains cable	Yes

KM 7699 FR
Induction hob with onset controls
with TempControl for perfect frying results



KM 7699 FR (installation drawing)

1) Front , 2) Mains connection box with mains connection cable, L = 1440 mm, are enclosed loosely