

KMDA 7634 FL

Induction hob with integrated vapour extraction

With two PowerFlex cooking areas and flush downdraft extractor



- Elegant design – flush fit downdraft extractor
- Automatic fan power regulation – Con@ctivity
- Intuitive quick selection via number sequences – Smart Select
- Versatile and fast – 4 cooking zones incl. 2 PowerFlex areas
- Energy-efficient and quiet – powerful ECO motor

A++

EAN: 4002516330035 / Material number: 11491530 / Old Material Number: 26763472GB

Operating modes	
Exhaust air guided with optional accessories	DFK-xxxx, DMK 150-1
Recirculation air guided with optional accessories	Can be retrofitted
Recirculation air guided with optional accessories	DFK-xxxx, DUU 1000-2
Design	
Elegant glass ceramic surface	•
Flush	•
Ceramic surface colour	Black
Frameless – surface-mounted	•
Flush fit extractor	•
Colour of cover grille	Stainless steel
Cooking zone details	
Number of cooking zones	4
Number of cooking areas	2
Maximum number of pans	4
PowerFlex cooking zones	
No.	4
Type	PowerFlex bridge
Diameter in mm	Ø 150 – 230
Rating in W	2100
Booster in W	3000
TwinBooster in W	3650
1st cooking zone/cooking area	
Position	Left
Type	PowerFlex bridge
Size in mm	230x390
Max. Booster power rating in W	4800
Max. rating in W	3400
Max. TwinBooster power rating in W	7300
2nd cooking zone/cooking area	
Position	right
Type	PowerFlex bridge
Size in mm	230x390
Max. Booster power rating in W	4800
Max. rating in W	3400
Max. TwinBooster power rating in W	7300
User convenience	
Miele@home	•
Operation via sensor controls	Smart Select
Automatic function Con@ctivity	•
Digital power level display	•
Display colour	Yellow
Auto heat-up	•
Keeping warm	•
Stop & Go function	•
Recall function	•
Safety switch-off	•
Permanent pan recognition	•
Individual setting options (e.g. buzzers)	•
Active charcoal filter saturation indicator	•

KMDA 7634 FL

Induction hob with integrated vapour extraction

With two PowerFlex cooking areas and flush downdraft extractor



EAN: 4002516330035 / Material number: 11491530 / Old Material Number: 26763472GB

Run-on time 5/15 min.	•
Wipe protection	•
Grease filter saturation indicator	•
Minute minder	•
Easy-to-clean canopy interior – CleanCover	•
Efficiency and sustainability	
Energy efficiency class (A+++ – D)	A++
ECO motor	•
Annual energy consumption in kWh/year	23.8
Fluid dynamic efficiency class	A
Lighting efficiency class	-
Grease filtering efficiency class	A
Cleaning and care	
Easy to clean ceramic glass	•
Filter system	
Number of dishwasher-safe stainless steel grease filters (10-ply)	1
Exhaust air	
Air throughput at min. level (m ³ /h) according to EN 61591	170
Air throughput at max. level (m ³ /h) according to EN 61591	490
Air throughput in Intensive level (m ³ /h) according to EN 61591	570
Air throughput in Booster level (m ³ /h) according to EN 61591	570
Sound power at min. level (dB(A) re 1 pW) according to EN 60704-3	45.0
Sound power at max. level (dB(A) re 1 pW) according to EN 60704-3	69.0
Sound power in Booster level (dB(A) re 1 pW) acc. to EN 60704-3	73.0
Sound pressure at min. level (dB(A) re 20 µPa) according to EN 60704-2-13	31.0
Sound power in Booster level (dB(A) re 1 pW) acc. to EN 60704-3	73.0
Sound pressure at max. level (dB(A) re 20 µPa) according to EN 60704-2-13	55.0
Noise pressure level in Intensive level (dB(A) re 20 µPa) according to EN 60704-2-13	59.0
Sound pressure in Booster level (dB(A) re 20 µPa) acc. to EN 60704-2-13	59.0
Recirculation	
Air throughput at min. level (m ³ /h) according to EN 61591	110
Air throughput at max. level (m ³ /h) according to EN 61591	420
Air throughput in Booster level 1 (m ³ /h) according to EN 61591	510
Sound power at min. level (dB(A) re 1 pW) according to EN 60704-3	45.0
Sound power at max. level (dB(A) re 1 pW) according to EN 60704-3	70.0
Sound pressure at min. level (dB(A) re 20 µPa) according to EN 60704-2-13	30.0
Sound power in Booster level 1 (dB(A) re 1 pW) acc. to EN 60704-3	75.0

KMDA 7634 FL

Induction hob with integrated vapour extraction

With two PowerFlex cooking areas and flush downdraft extractor



EAN: 4002516330035 / Material number: 11491530 / Old Material Number: 26763472GB

Sound pressure at max. level (dB(A) re 20 µPa) according to EN 60704-2-13	56.0
---	------

Sound pressure in Booster level 1 (dB(A) re 20 µPa) acc. to EN 60704-2-13	62.0
---	------

Safety	
--------	--

Safety switch-off	•
-------------------	---

Lock function	•
---------------	---

System lock	•
-------------	---

Integrated cooling fan	•
------------------------	---

Overheating protection	•
------------------------	---

Residual heat indicator	•
-------------------------	---

Connection for window contact switch	•
--------------------------------------	---

Technical data	
----------------	--

Dimensions in mm (width)	800
--------------------------	-----

Dimensions in mm (height)	200
---------------------------	-----

Dimensions in mm (depth)	520
--------------------------	-----

Cutout dimensions in mm (width) with surface-mounted installation	780
---	-----

Cutout dimensions in mm (depth) with surface-mounted installation	500
---	-----

Casing height incl. connection box in mm	200
--	-----

Internal cutout dimensions in mm (width) with flush installation	780
--	-----

Internal cutout dimensions in mm (depth) with flush installation	500
--	-----

Weight in kg	22
--------------	----

External cutout dimensions in mm (width) with flush installation	804
--	-----

External cutout dimensions in mm (depth) with flush installation	524
--	-----

Total rated load in kW	7.50
------------------------	------

Voltage in V	230
--------------	-----

Frequency in Hz	50-60
-----------------	-------

Length of supply lead in m	2
----------------------------	---

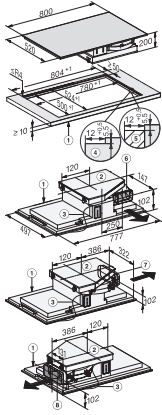
Accessories included	
----------------------	--

Mains cable	Yes
-------------	-----

KMDA 7634 FL

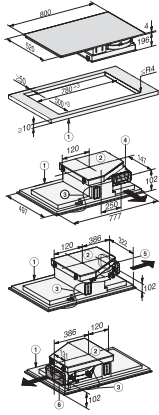
Induction hob with integrated vapour extraction

With two PowerFlex cooking areas and flush downdraft extractor



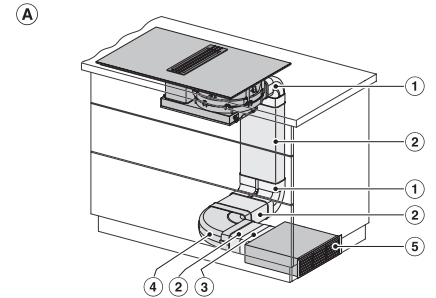
KMDA 7633 FL, KMDA 7634 FL, KMDA 7476 FL – flush (Installation drawing)

- 1) Front, 2) The removable drip tray must be accessible after installation. , 3) Mains connection box with mains connection cable, L = 1440 mm, 4) Stepped cut-out, 5) Wooden support frame (not supplied with the appliance), 6) Duct connection at rear >220-222 x 89-90 / R1-R19 (machine delivered with this option), 7) Duct connection to the right >220-222 x 89-90 / R1-R19 (requires conversion), 8) Duct connection to the left >220-222 x 89-90 / R1-R19 (requires conversion)



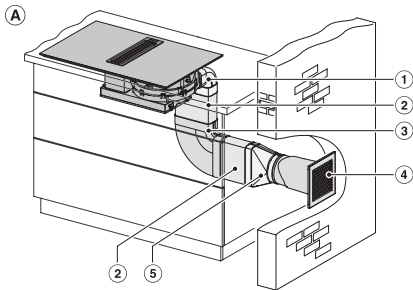
KMDA 7633 FL, KMDA 7634 FL, KMDA 7476 FL – frameless supported (Installation drawing)

- 1) Front, 2) The removable drip tray must be accessible after installation. , 3) Mains connection box with mains connection cable, L = 1440 mm, 4) Duct connection at rear >220-222 x 89-90 / R1-R19 (machine delivered with this option), 5) Duct connection to the right >220-222 x 89-90 / R1-R19 (requires conversion), 6) Duct connection to the left >220-222 x 89-90 / R1-R19 (requires conversion)



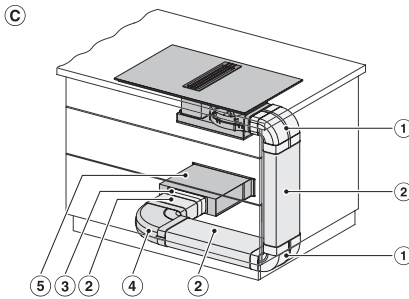
KMDA 7633, KMDA 7634, KMDA 7476 Built-in version 1 (Installation drawing)

- 1) DFK-BV 90, 2) DFK-R 1000, 3) DFK-V, 4) DFK-BH 90, 5) DUU 1000-2



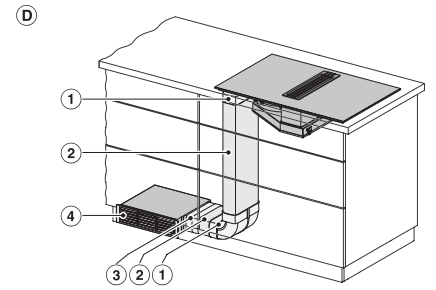
KMDA 7633 KMDA 7634, KMDA 7476 - Built-in version 6 (Installation drawing)

- 1) DFK-BV 90, 2) DFK-R 1000, 3) DFK-BH 90, 4) DMK 150-1, 5) DFK-A



KMDA 7633, KMDA 7634, KMDA 7476 - built-in version (Installation drawing)

- 1) DFK-BV 90, 2) DFK-R 1000, 3) DFK-V, 4) DFK-BH 90, 5) DUU 1000-2



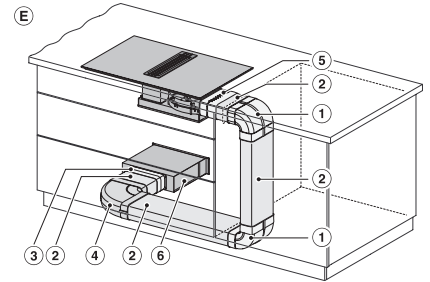
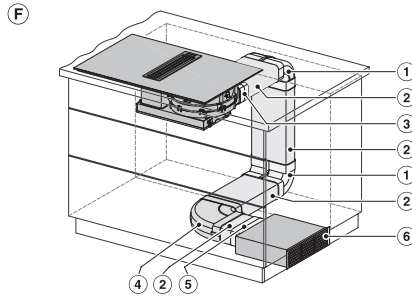
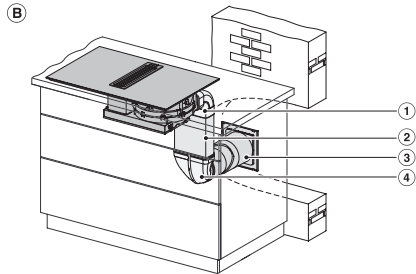
KMDA 7633, KMDA 7634, KMDA 7476 - built-in version (Installation drawing)

- 1) DFK-BV 90, 2) DFK-R 1000, 3) DFK-V, 4) DUU 1000-2

KMDA 7634 FL

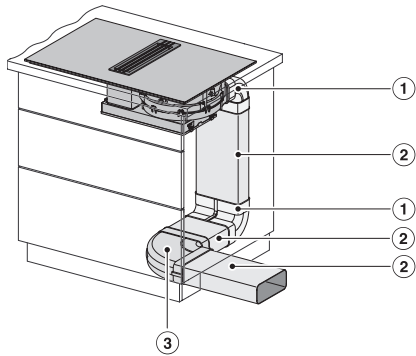
Induction hob with integrated vapour extraction

With two PowerFlex cooking areas and flush downdraft extractor



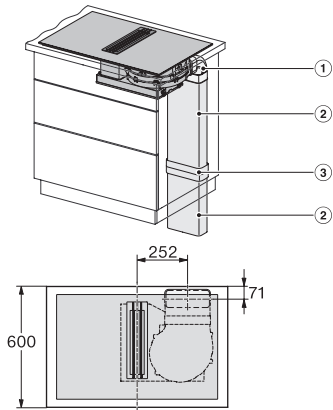
KMDA 7633, KMDA 7634, KMDA 7476 - built-in version 7 (Installation drawing)

1) DFK-BV 90, 2) DFK-R 1000, 3) DMK 150-1, 4) DFK-AK 90



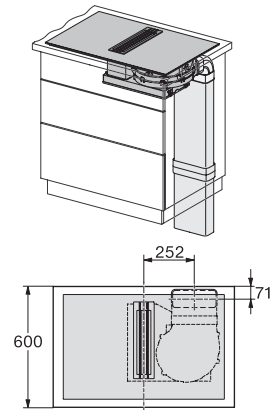
KMDA 7633, KMDA 7634, KMDA 7476 - built-in version 2 (Installation drawing)

1) DFK-BV 90, 2) DFK-R 1000, 3) DFK-L, 4) DFK-BH 90, 5) DFK-V, 6) DUU 1000-2



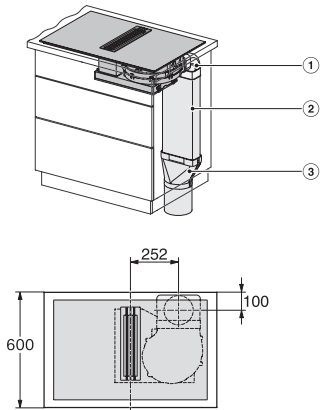
KMDA 7633, KMDA 7634, KMDA 7476 - built-in version 5 (Installation drawing)

1) DFK-BV 90, 2) DFK-R 1000, 3) DFK-V, 4) DFK-BH 90, 5) DFK-L, 6) DUU 1000-2



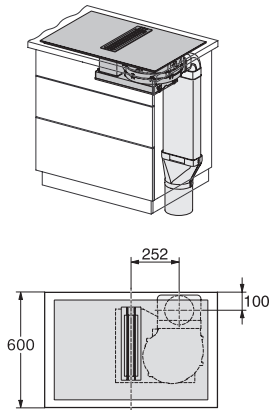
KMDA 7633, KMDA 7634, KMDA 7476 - built-in version 8 (Installation drawing)

1) DFK-BV 90, 2) DFK-R 1000, 3) DFK-BH 90



KMDA 7633, KMDA 7634, KMDA 7476 - built-in version 10 (Installation drawing)

1) DFK-BV 90, 2) DFK-R 1000, 3) DFK-V



KMDA 7633, KMDA 7634, KMDA 7476 - built-in version 10 (Installation drawing)

KMDA 7633, KMDA 7634, KMDA 7476 - built-in version 11 (Installation drawing)

1) DFK-BV 90, 2) DFK-R 1000, 3) DFK-V

KMDA 7633, KMDA 7634, KMDA 7476 - built-in version 11 (Installation drawing)