

WER865 WPS PWash&TDos&9kg
 W1 front-loader washing machine:
 with TwinDos, PowerWash and Miele@home for smart laundry care.



- Tested for 20 years of perfect laundry care
- Save energy in the best energy efficiency class (A)
- M Touch – the appliance is controlled by tapping or swiping
- Automatic detergent dispensing at the touch of a button – TwinDos
- Cleaning cannot be faster – QuickPowerWash



EAN: 4002516257943 / Material number: 11359360 / Old Material Number: 11ER8656GB

Construction type	
Suitable for stacking	•
Side-by-side	•
Slot-in	•
Can be built-under	•
Door hinge	right
Model	
Product brand	W1 Chrome Edition
Front-loader	•
Spinning	
Max. spin speed	1600
Rinse hold	•
Without spin function	•
Design	
Appliance colour	Lotus white
Control panel colour	Lotus white
Control panel version	Straight
Control type	Touch control
Display	MTouch
Cleaning performance	
Innovative PowerWash technology	•
TwinDos automatic detergent dispensing	•
CapDosing portioned dispensing	•
Stains option	•
Certified virus hygiene	•
Gentle laundry care	
Honeycomb drum	•
Load in kg	9.0
User convenience	
Networking with Miele@home	•
Delay start up to 24 hours	•
Time left display	•
Time of day display	•
Programme sequence indicator	•
Washing assistant	•
Information text	•
Favourite programmes	•
Drum lighting	LED
MultiLingua	•
AutoClean detergent drawer	•
AddLoad	•
Efficiency and sustainability	
Energy efficiency class (A–G)	A
Weighted energy consumption per 100 operating cycles for the wash cycle in kWh	49
Weighted water consumption per cycle in l	48
Spin efficiency class	A
Acoustic airborne noise emission class (spin cycle)	A
Sound emissions during spin cycle in dB(A) re 1 pW	68

WER865 WPS PWash&TDos&9kg
 W1 front-loader washing machine:
 with TwinDos, PowerWash and Miele@home for smart laundry care.



EAN: 4002516257943 / Material number: 11359360 / Old Material Number: 11ER8656GB

Duration of the "ECO 40-60" programme at nominal capacity	199
Power rating in off mode in W	0.30
Power rating in networked standby in W	0.70
EcoFeedback	•
Low temperature wash "Cold" and "20 °C"	•
Automatic load control	•
Flow meter	•
Foam sensing	•
ProfiEco motor	•
Wash programmes	
QuickPowerWash	•
Automatic plus	•
Cottons (coloureds)	•
Minimum iron	•
Delicates	•
Shirts	•
Silk (hand-washable)	•
Woollens (hand-washable)	•
Express 20	•
Dark garments	•
Denim	•
Outerwear	•
Proofing	•
Sportswear	•
Trainers	•
Down duvets	•
Pillows	•
Down	•
Curtains	•
Cottons hygiene	•
Clean machine	•
Cottons arrow	•
First wash	•
Separate rinse	•
Starch	•
Drain / Spin	•
ECO 40-60	•
Washing extras	
SingleWash	•
Short	•
Soak	•
Pre-wash	•
Water plus	•
Additional rinse cycle	•
Extra quiet	•
Pre-ironing with steam	•
Buzzer	•
AllergoWash	•
Quality	
Counterweights made of cast iron	•

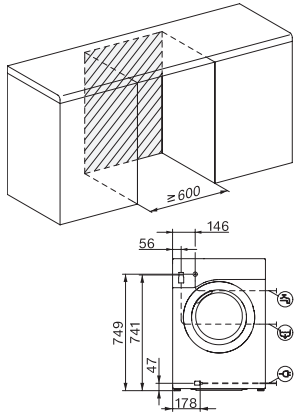
WER865 WPS PWash&TDos&9kg
 W1 front-loader washing machine:
 with TwinDos, PowerWash and Miele@home for smart laundry care.



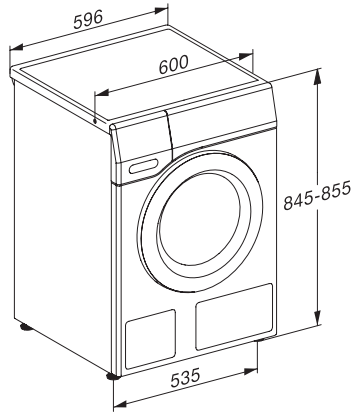
EAN: 4002516257943 / Material number: 11359360 / Old Material Number: 11ER8656GB

Safety	
Water protection system	Waterproof-System
Safety lock	•
PIN-Code	•
Optical interface	•
Technical data	
Dimensions in mm (width)	596
Dimensions in mm (height)	850
Dimensions in mm (depth)	636
Appliance depth in mm with opened door	1054
Appliance depth excluding door (for building-under) in mm	600
Weight in kg	95
Total rated load in kW	2.10-2.40
Voltage in V	220-240
Fuse rating in A	13
Frequency in Hz	50
Length of supply lead in m	2
Replacing lamps	Service
Accessories included	
3 Caps	•
UltraPhase 1 + 2	•
Voucher for 5 Miele UltraPhase cartridges	•
Available display languages	
Available display languages via MultiLingua	bahasa malaysia, dansk, deutsch, english (AU), english (CA), english (GB), english (US), español, français (CA), français (FR), hrvatski, italiano, magyar, nederlands, norsk, polski, portugues, русский, română, slovenčina, slovenščina, srpski, suomi, svenska, türkçe, українська, čeština, ελληνικά,

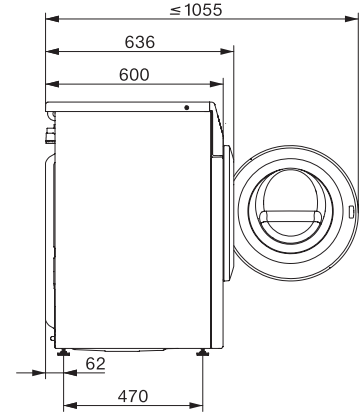
WER865 WPS PWash&TDos&9kg
W1 front-loader washing machine:
with TwinDos, PowerWash and Miele@home for smart laundry care.



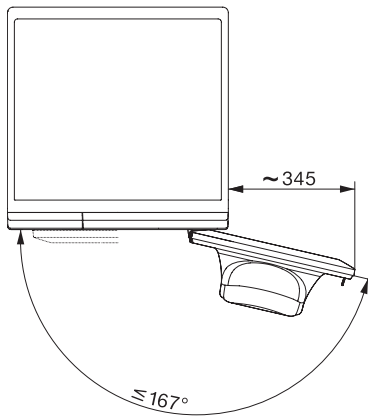
W1 installation drawing, slanted fascia or straight fascia, measures in mm



W1 drawing, slanted fascia or straight fascia, measures in mm



W1 drawing, slanted fascia or straight fascia, measures in mm



W1 drawing, slanted fascia or straight fascia, measures in mm