

DFKS-U

For hygienic and customised air guidance in recirculation mode.

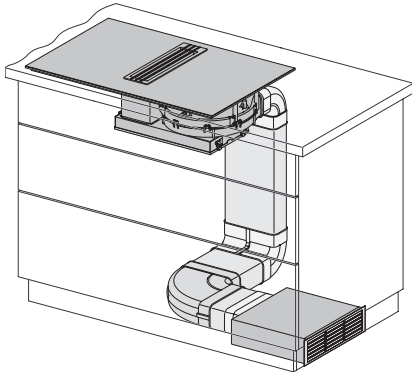


EAN: 4002516219392 / Material number: 11250350 / Old Material Number: 28996404D

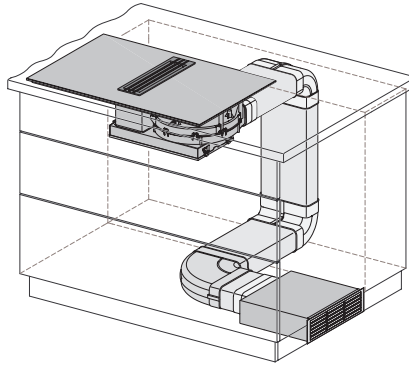
- Incl. recirculation box (DUU 1000-2) + 1 x connector (DFK-V)
- 2 x bend (DFK-BV 90) + 1 x bend (DFK-BH 90) + 2 x 1 m (DFK-R1000)
- 1 x length compensation (DFK-L) + 1 x sealing tape (DFK-DB)
- National building regulations must be complied with
- Makes planning easier, set is attractively priced

DFKS-U

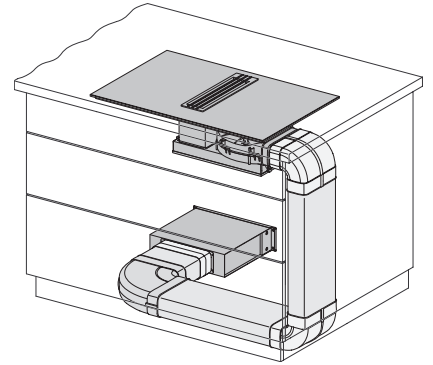
For hygienic and customised air guidance in recirculation mode.



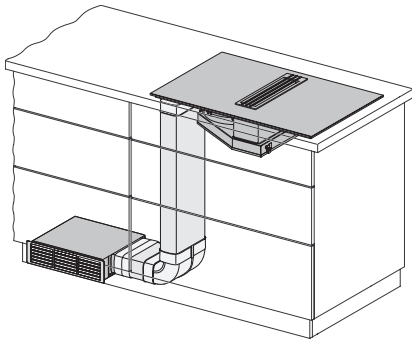
KMDA 7774, Built-in version 1 (Installation drawing)



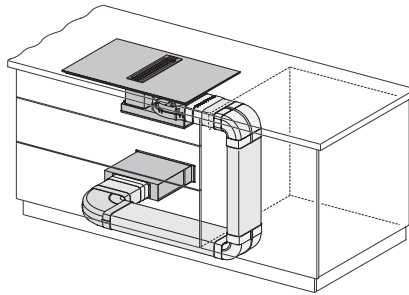
KMDA 7774, built-in version 6 (Installation drawing)



KMDA 7774, built-in version (Installation drawing)



KMDA 7774, built-in version (Installation drawing)



KMDA 7774, KMDA 7633 built-in version (Installation drawing)