

DUU 1000-2

Recirculation conversion kit for CSDA 10x0 / CSDA 7xxx FL / KMDA 7xxx
for ducted recirculation mode including reactivatable charcoal filter

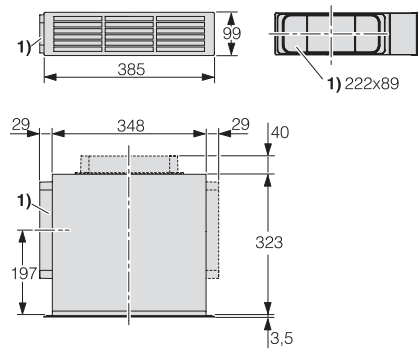
EAN: 4002516197652 / Material number: 11207310 / Old Material Number: 28996403D



- Installation in plinth heights from 100 mm
- Exhaust air conn. to left, right and/or rear incl. 2 connectors
- Multiple DUU 1000-2 can be combined
- including Longlife AirClean filter can be regenerated
- Uniform airflow in recirculation mode

DUU 1000-2

Recirculation conversion kit for CSDA 10x0 / CSDA 7xxx FL / KMDA 7xxx
for ducted recirculation mode including reactivatable charcoal filter



DUU1000-2, DUU1500 (installation drawing)

1) Stub for vent connection., A second stub for connecting another vent box is supplied., The stubs can be mounted on the right, left or at the rear., Extraction Connection for flat ducting system 222 x 89 mm, Cutout dimension in the plinth strip 350 mm x 98 mm