

## M 7244 TC

Built-in microwave oven

in a design that is the perfect complement with controls on the top.



- Clear-text display with sensor controls – DirectSensor S
- Optimum and even browning – integrated Quartz grill
- Perfect defrosting and cooking – Automatic programmes
- Plenty of room – 46 l oven compartment volume and 40 cm turntable
- Popcorn at the touch of a button – Popcorn button

EAN: 4002516128311 / Material number: 11143780 / Old Material Number: 24724440GB

<b>Construction type</b>	
Appliance Colour	Stainless steel/Clean Steel
<b>Construction type and design</b>	
Built-in microwave oven	•
PureLine	•
TopControl	•
<b>Convenience features</b>	
Keeping warm	•
Quartz grill	•
<b>Operating modes</b>	
Automatic programmes	•
Grill	•
Microwave solo operation	•
Microwave/grill combination mode	•
<b>User convenience</b>	
Display	DirectSensor S
SoftOpen	•
SoftClose	•
Multilingual	•
Popcorn function	•
Time of day display	•
Minute minder	•
Programmable end of cooking duration	•
Programmable cooking duration	•
Quick microwave	•
Individual settings	•
<b>Efficiency and sustainability</b>	
Night dimming	•
<b>Cleaning and care</b>	
Stainless steel/CleanSteel finish	•
Stainless steel oven compartment	•
CleanGlass door	•
<b>Safety</b>	
Appliance cooling system and touch-cool front	•
System lock	•
Safety switch-off	•
Safety lock "Door" warning	•
<b>Technical data</b>	
Oven compartment volume in l	46
Door hinge	Bottom
Oven light	1 LED spot
Oven interior height in cm	23.2
Turntable diameter in cm	40.6
Electronically controlled microwave power	•
Microwave power levels in W	
Maximum microwave power in W	900
Grill power rating in W	1500
Niche width min. in mm	562
Niche width max. in mm	568
Niche height min. in mm	450

## M 7244 TC

Built-in microwave oven

in a design that is the perfect complement with controls on the top.



EAN: 4002516128311 / Material number: 11143780 / Old Material Number: 24724440GB

Niche height max. in mm	452
Niche depth in mm	550
Appliance dimensions (W x H x D) in mm	595 x 456 x 560
Appliance width in mm	595
Appliance height in mm	456
Appliance depth in mm	560
Niche-independent venting	•
Weight in kg	29.1
Total rated load in kW	1.6
Voltage in V	220-240
Frequency in Hz	50
Fuse rating in A	13
Number of phases	1
Mains cable with plug	•
Length of supply lead in m	2.10
Replacing lamps	Service

### Accessories included

Grilling rack	1
Gourmet plate	1

### Available display languages

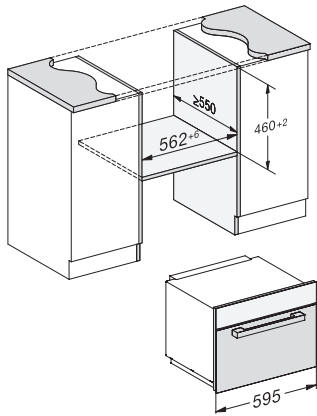
Available display languages via MultiLingua

bahasa malaysia, dansk, deutsch, english, español, français, hrvatski, italiano, magyar, nederlands, norsk, polski, português, русский, română, slovenčina, slovensčina, srpski, suomi, svenska, türkçe, українська, čeština, ελληνικά,

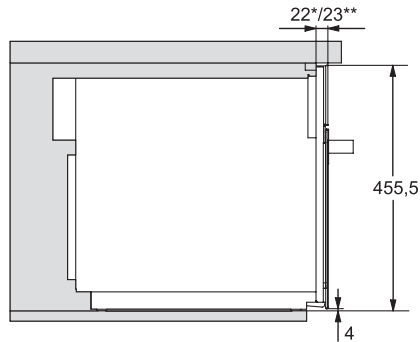
## M 7244 TC

Built-in microwave oven

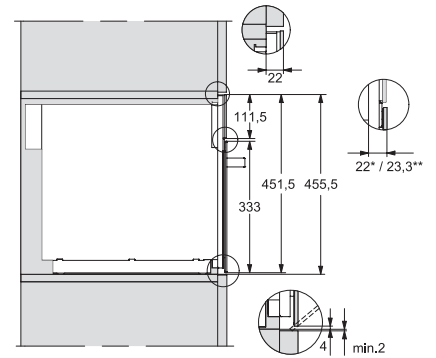
in a design that is the perfect complement with controls on the top.



M7140TC, M724x, installation drawings

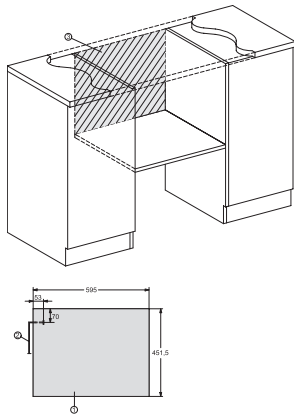


M7140TC, M724xTC, installation drawing



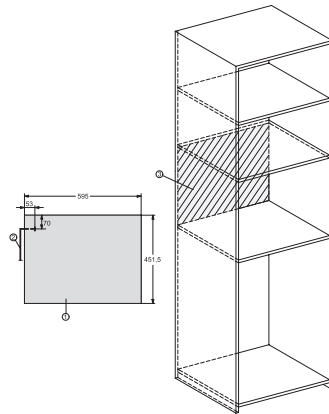
M7140TC, M724xTC, installation drawing

22 mm – glass, 23.3 mm – stainless steel



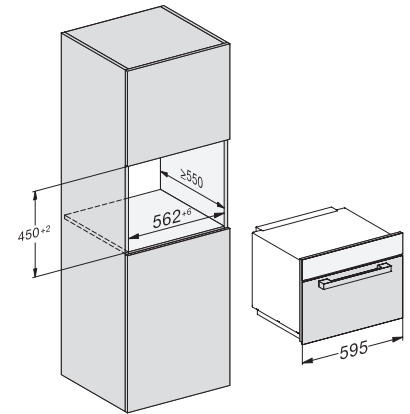
M7140TC, M724x, installation drawings

1) Front view, 2) Mains connection cable L=1,600 mm, 3) No connection in this area



M7140TC, M724x, installation drawings

1) Front view, 2) Mains connection cable L=1,600 mm, 3) No connection in this area



M7140TC, M724x, installation drawings