

TWW 680 WP Passion

T1 heat-pump dryer:

The very economical Miele all-rounder that meets the highest expectations.



- M Touch – the appliance is controlled by tapping or swiping
- Very economical drying – A+++ -10 %
- Savings for the life of your tumble dryer – EcoDry technology
- Less ironing thanks to SteamFinish
- Miele@home – clever networking opens up new possibilities*

* Additional digital offer from Miele & Cie. KG. All smart applications are made possible with the Miele@home system. The range of functions can vary depending on the model and the country.

A+++

EAN: 4002516073321 / Material number: 10995190 / Old Material Number: 12WW6802GB

Construction type	
Suitable for stacking	•
Side-by-side	•
Slot-in	•
Door hinge	left, Reversible
Convertible door hinging	•
Model	
Product brand	T1 White Edition
Heat pump dryer	•
Design	
Appliance colour	Lotus white
Control panel colour	Lotus white
Door design	Alu silver with chrome ring
Control panel version	5° inclined
Control type	Touch control
Display	MTouch
Drying results	
PerfectDry precision drying	•
FragranceDos ² fragrance system	•
SteamFinish steam system	•
Intelligent drum reversal	•
Gentle laundry care	
Honeycomb drum	•
Load in kg	9.0
User convenience	
Networking with Miele@home	•
Wash2Dry	•
Delay start up to 24 hours	•
Time left display	•
Time of day display	•
Programme sequence indicator	Yes
Drying assistant	•
Information text	•
Favourite programmes	•
Drum lighting	LED
MultiLingua	•
Acoustics package for the lowest sound emissions	•
Condensate container	•
Integrated condensed water drainage	•
AddLoad	•
Efficiency and sustainability	
Energy efficiency class (A+++ – D)	A+++
More economical than the threshold value (24) for energy efficiency rating A+++	10%
Annual energy consumption in kWh	174
Duration in minutes in the standard programme	220
Noise in the Cottons programme with full load in db(A) re 1 pW	62
Condensation efficiency class	A
Energy consumption in kWh in the Cottons Normal dry standard programme with a full load	1.47

TWW 680 WP Passion

T1 heat-pump dryer:

The very economical Miele all-rounder that meets the highest expectations.



EAN: 4002516073321 / Material number: 10995190 / Old Material Number: 12WW6802GB

EcoFeedback	•
EcoDry technology	•
Maintenance-free heat exchanger	•
ProfiEco motor	•
Drying programmes	
Automatic plus	•
Cottons (coloureds)	•
Minimum iron	•
Delicates	•
Shirts	•
Silks handcare	•
Woollens handcare	•
Express	•
Denim	•
Outerwear	•
Proofing	•
Sportswear	•
Standard pillows	•
Large pillows	•
Cottons hygiene	•
Cool air	•
Warm air	•
Basket programme	•
Extra quiet	•
Pre-Ironing	•
Bed linen	•
Steam care	•
Extras	
Anti-crease	•
Gentle tumble	•
Freshen up	•
ECO	•
Buzzer	•
Quality	
Soft ribs	•
Safety	
PIN-Code	•
Empty out container indicator	•
Clean filter indication	•
Optical interface	•
Technical data	
Dimensions in mm (width)	596
Dimensions in mm (height)	850
Dimensions in mm (depth)	643
Appliance depth in mm with opened door	1077
Weight in kg	60
Total rated load in kW	1.10
Voltage in V	220-240
Fuse rating in A	13
Frequency in Hz	50
Length of supply lead in m	2.0

TWW 680 WP Passion

T1 heat-pump dryer:

The very economical Miele all-rounder that meets the highest expectations.



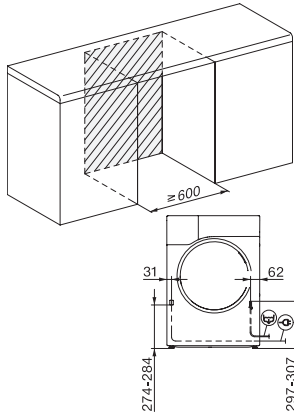
EAN: 4002516073321 / Material number: 10995190 / Old Material Number: 12WW6802GB

Contains fluorinated greenhouse gases	•
Hermetically sealed	•
Type of coolant	R134a
Refrigerant quantity in kg	0.48
Refrigerant global warming potential in CO ₂ e	1430
Appliance global warming potential in CO ₂ e	686.00
Replacing lamps	Customer Service
Accessories supplied	
Fragrance flacon	•
Voucher for a second fragrance flacon	•
Available display languages	
Available display languages via MultiLingua	bahasa malaysia, dansk, deutsch, english, english (AU), english (CA), english (GB), english (US), español, français, français (CA), français (FR), hrvatski, italiano, magyar, nederlands, norsk, polski, portuguis, русский, română, slovenčina, slovenščina, srpski, suomi, svenska, türkçe, українська, čeština, ελληνικά,

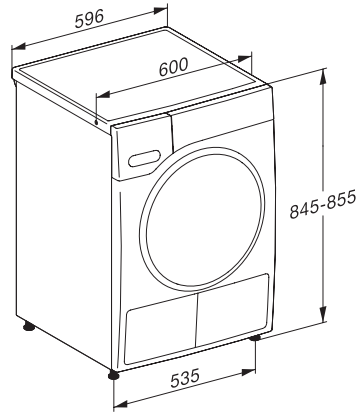
TWW 680 WP Passion

T1 heat-pump dryer:

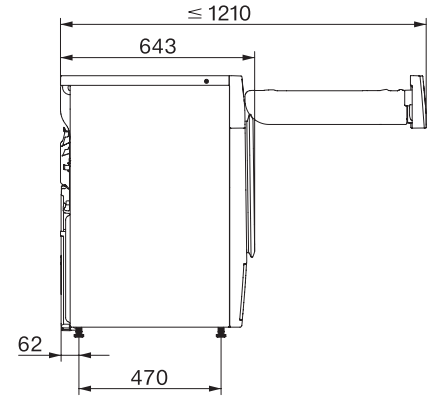
The very economical Miele all-rounder that meets the highest expectations.



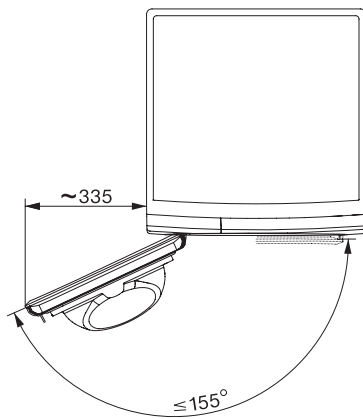
T1 installation drawing, facia 5 degree, measures in mm



T1 drawing, facia 5 degree, measures in mm



T1 drawing, facia 5 degree, with porthole, measures in mm



T1 drawing, facia 5 degree, measures in mm