

DFK-BVK 90

Flat ducting bend

For effective and customised air guidance.

EAN: 4002515963876 / Material number: 10811470 / Old Material Number: 28996396D

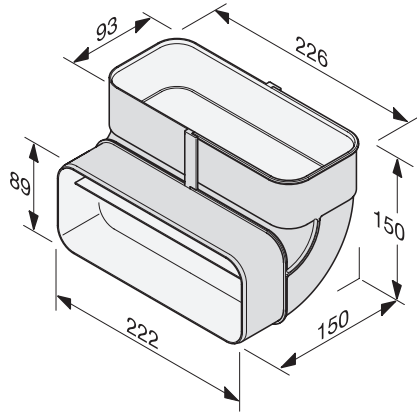


- For hygienic venting in extraction and recirculation mode
- Integrated air-guide profiles for optimum airflow properties
- National building regulations must be complied with
- White plastic, flame resistant
- Vertical 90° bend, 150 mm in depth and height

DFK-BVK 90

Flat ducting bend

For effective and customised air guidance.



DFK-BVK90, bow 90°, vertical shortened, installation drawing