

DFK-BH 15

Flat ducting bend

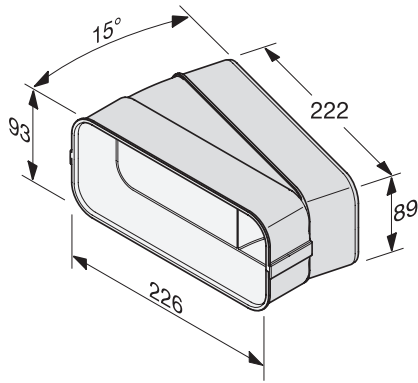
For effective and customised air guidance.

EAN: 4002515963869 / Material number: 10811460 / Old Material Number: 28996395D



- For hygienic venting in extraction and recirculation mode
- Integrated air-guide profiles for optimum airflow properties
- National building regulations must be complied with
- White plastic, flame resistant
- Horizontal 15° bend

DFK-BH 15  
Flat ducting bend  
For effective and customised air guidance.



DFK-BH15, bow, 15° horizontal, installation drawing