

DFK-BH 45

Flat ducting bend

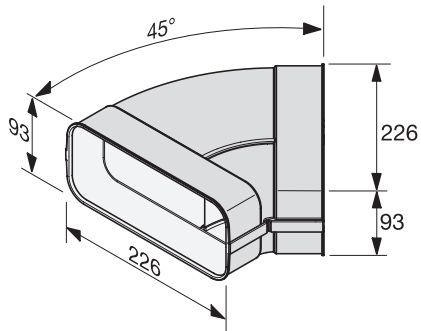
For effective and customised air guidance.

EAN: 4002515963852 / Material number: 10811450 / Old Material Number: 28996394D



- For hygienic venting in extraction and recirculation mode
- Integrated air-guide profiles for optimum airflow properties
- National building regulations must be complied with
- White plastic, flame resistant
- Horizontal 45° bend

DFK-BH 45  
Flat ducting bend  
For effective and customised air guidance.



DFK-BH45, bow 45°, horizontal, installation drawing