

DA 2360

Extractor unit

with energy-efficient LED lighting and light-touch switches for easy use.



- Customised kitchen design – fully integrated in 584 mm width
- Space saving – suitable for narrow wall units over 30 cm deep
- Powerful – 600 m<sup>3</sup>/h on the booster setting
- Efficient filtration- 10-ply stainless-steel grease filter
- Safe and easy to clean – Miele CleanCover



EAN: 4002515792193 / Material number: 10568370 / Old Material Number: 28236055GB

<b>Construction type</b>	
Integrated extractor	•
<b>Construction type and design</b>	
Colour	Stainless steel
<b>Operating modes</b>	
Type of air guide	Can be retrofitted
Recirculation conversion kit (order separately)	DUU 151
Active charcoal filter (order separately)	DKF 19-P
<b>User convenience</b>	
Electronic controls	•
Power levels (number without Booster level)	3
Booster levels	1
Easy-to-clean canopy interior – CleanCover	•
<b>Efficiency and sustainability</b>	
Energy efficiency class (A+++ – D)	A
Annual energy consumption in kWh/year	49.1
Fluid dynamic efficiency class	A
Lighting efficiency class	A
Grease filtering efficiency class	B
<b>Filter system</b>	
Number of dishwasher-safe stainless steel grease filters (10-ply)	1
<b>Lighting</b>	
LED	•
Number x W	2 x 3 W
Light intensity in lx	350 lx
Colour temperature in K	3000 Kelvin
<b>Fan</b>	
Dual-action fan	•
AC motor	•
<b>Exhaust air</b>	
Air throughput in Level 1 (m <sup>3</sup> /h) according to EN 61591	250
Air throughput in Level 2 (m <sup>3</sup> /h) according to EN 61591	300
Air throughput in Level 3 (m <sup>3</sup> /h) according to EN 61591	360
Air throughput in Booster level (m <sup>3</sup> /h) according to EN 61591	600
Sound power in Level 1 (dB(A) re 1 pW) according to EN 60704-3	47.0
Sound power in Level 2 (dB(A) re 1 pW) according to EN 60704-3	48.0
Sound power in Level 3 (dB(A) re 1 pW) according to EN 60704-3	52.0
Sound power in Booster level (dB(A) re 1 pW) acc. to EN 60704-3	64.0
Sound pressure in Level 1 (dB(A) re 20 µPa) according to EN 60704-2-13	31.0
Sound pressure in Level 2 (dB(A) re 20 µPa) according to EN 60704-2-13	34.0
Sound pressure in Level 3 (dB(A) re 20 µPa) according to EN 60704-2-13	38.0
Sound pressure in Booster level (dB(A) re 20 µPa) acc. to EN 60704-2-13	50.0

DA 2360

Extractor unit

with energy-efficient LED lighting and light-touch switches for easy use.



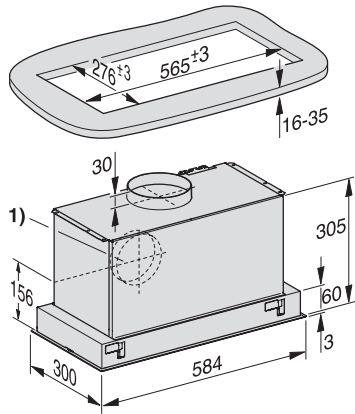
EAN: 4002515792193 / Material number: 10568370 / Old Material Number: 28236055GB

<b>Recirculation</b>	
Air throughput in Level 1 (m <sup>3</sup> /h) according to EN 61591	190
Air throughput in Level 2 (m <sup>3</sup> /h) according to EN 61591	250
Air throughput in Intensive level (m <sup>3</sup> /h) according to EN 61591	500
Air throughput in Level 3 (m <sup>3</sup> /h) according to EN 61591	320
Sound power in Level 1 (dB(A) re 1 pW) according to EN 60704-3	54.0
Noise power level in Intensive level (dB(A) re 1 pW) according to EN 60704-3	72.0
Sound power in Level 2 (dB(A) re 1 pW) according to EN 60704-3	60.0
Sound power in Level 3 (dB(A) re 1 pW) according to EN 60704-3	64.0
Sound pressure in Level 1 (dB(A) re 20 µPa) according to EN 60704-2-13	39.0
Sound pressure in Level 2 (dB(A) re 20 µPa) according to EN 60704-2-13	45.0
Sound pressure in Level 3 (dB(A) re 20 µPa) according to EN 60704-2-13	49.0
Noise pressure level in Intensive level (dB(A) re 20 µPa) according to EN 60704-2-13	57.0
<b>Safety</b>	
Safety switch-off	•
<b>Technical data</b>	
Canopy width in mm	584
Canopy height in mm	63
Canopy depth in mm	297
Minimum height above electric hobs in mm	450
Net weight in kg	11.0
Length of supply lead in m	1.5
Standard plug fitted	•
Minimum safety distance above gas hobs (max. 12.6 kW total power, burner ≤ 4.5 kW) in mm	650
Total rated load in kW	0.22
Voltage in V	230
Fuse rating in A	10
Number of phases	1
Frequency in Hz	50
<b>Installation notes</b>	
Extraction ducting connection at top	•
Extraction connection at top and rear	•
Diameter of exhaust duct in mm	150
<b>Accessories included</b>	
Non-return flap	•
<b>Optional accessories</b>	
Active charcoal filter	Nein

DA 2360

Extractor unit

with energy-efficient LED lighting and light-touch switches for easy use.



DA 2360 (Installation drawing)

The hood is fixed in the cut-out using clamps. In the cut-out. This requires a solid construction of the, solid construction of the installation surface, e.g. of wood, is required. Make sure that the, sufficient load-bearing capacity of the construction. In the area of the, In the area of the terminals, components such as struts or cables,, must be at least 25 mm away from the cut-out., have., 1) Vent connection alternatively to rear