

DA 1260

Built-under cooker hood

with energy-efficient LED lighting and sliding switch for simple operation.



- Minimalist design – 598 mm wide space saving solution
- Powerful – 545 m³/h on the booster setting
- Efficient filtration- 10-ply stainless-steel grease filter
- Safe and easy to clean – Miele CleanCover
- Suitable for every home – for extraction or recirculation



EAN: 4002515792186 / Material number: 10568360 / Old Material Number: 28126055GB

Construction type	
Built-under hood	•
Construction type and design	
Colour	Stainless steel
Operating modes	
Type of air guide	Can be retrofitted
Active charcoal filter (order separately)	DKF 18-P
User convenience	
Mechanical controls	•
Power levels (number without Booster level)	3
Slide switch	•
Booster levels	1
Easy-to-clean canopy interior – CleanCover	•
Efficiency and sustainability	
Annual energy consumption in kWh/year	91.6
Energy efficiency class (A+++ – D)	C
Annual energy consumption in kWh/year	91.6
Fluid dynamic efficiency class	D
Lighting efficiency class	A
Grease filtering efficiency class	A
Filter system	
Number of dishwasher-safe stainless steel grease filters (10-ply)	2
Lighting	
LED	•
Number x W	2 x 3 W
Light intensity in Lx	330 lx
Colour temperature in K	3000 Kelvin
Fan	
Single-action fan	•
AC motor	•
Exhaust air	
Air throughput in Level 1 (m ³ /h) according to EN 61591	275
Air throughput in Level 2 (m ³ /h) according to EN 61591	315
Air throughput in Level 3 (m ³ /h) according to EN 61591	355
Air throughput in Booster level (m ³ /h) according to EN 61591	545
Sound power in Level 1 (dB(A) re 1 pW) according to EN 60704-3	57.0
Sound power in Level 2 (dB(A) re 1 pW) according to EN 60704-3	60.0
Sound power in Level 3 (dB(A) re 1 pW) according to EN 60704-3	64.0
Sound power in Booster level (dB(A) re 1 pW) acc. to EN 60704-3	74.0
Sound pressure in Level 1 (dB(A) re 20 µPa) according to EN 60704-2-13	43.0
Sound pressure in Level 2 (dB(A) re 20 µPa) according to EN 60704-2-13	47.0
Sound pressure in Level 3 (dB(A) re 20 µPa) according to EN 60704-2-13	50.0

DA 1260

Built-under cooker hood

with energy-efficient LED lighting and sliding switch for simple operation.



EAN: 4002515792186 / Material number: 10568360 / Old Material Number: 28126055GB

Sound pressure in Booster level (dB(A) re 20 µPa) acc. to EN 60704-2-13 60.0

Recirculation

Air throughput in Level 1 (m³/h) according to EN 61591 165

Air throughput in Level 2 (m³/h) according to EN 61591 180

Air throughput in Intensive level (m³/h) according to EN 61591 220

Air throughput in Level 3 (m³/h) according to EN 61591 195

Sound power in Level 1 (dB(A) re 1 pW) according to EN 60704-3 71.0

Noise power level in Intensive level (dB(A) re 1 pW) according to EN 60704-3 75.0

Sound power in Level 2 (dB(A) re 1 pW) according to EN 60704-3 72.0

Sound power in Level 3 (dB(A) re 1 pW) according to EN 60704-3 73.0

Sound pressure in Level 1 (dB(A) re 20 µPa) according to EN 60704-2-13 57.0

Sound pressure in Level 2 (dB(A) re 20 µPa) according to EN 60704-2-13 58.0

Sound pressure in Level 3 (dB(A) re 20 µPa) according to EN 60704-2-13 59.0

Noise pressure level in Intensive level (dB(A) re 20 µPa) according to EN 60704-2-13 62.0

Technical data

Canopy width in mm 598

Canopy height in mm 125

Canopy depth in mm 500

Minimum height above electric hobs in mm 450

Net weight in kg 11.2

Length of supply lead in m 1.5

Standard plug fitted •

Minimum safety distance above gas hobs (max. 12.6 kW total power, burner ≤ 4.5 kW) in mm 650

Total rated load in kW 0.23

Voltage in V 230

Fuse rating in A 10

Number of phases 1

Frequency in Hz 50

Installation notes

Extraction ducting connection at top •

Diameter of exhaust duct in mm 150

Fitting template •

Accessories included

Deflector for recirculation •

Non-return flap •

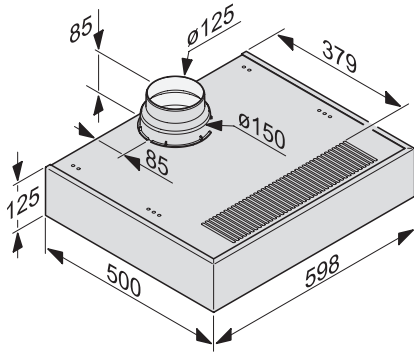
Optional accessories

Active charcoal filter Nein

DA 1260

Built-under cooker hood

with energy-efficient LED lighting and sliding switch for simple operation.



DA 1060, DA 1160, DA 1260 (Installation drawing)