

KFN 37432 iD

Built-in fridge-freezer combination

with more convenience for fridge & freezer with FlexiLight & Frost free



- Individually adjustable glass shelf lighting thanks to FlexiLight
- No icing up of food and no need to defrost thanks to Frost free
- Store food anywhere in the refrigerator – DynaCool
- Door shelves can be cleaned in the dishwasher – ComfortClean
- Soft-closing doors thanks to SoftClose



EAN: 4002515234174 / Material number: 09482170 / Old Material Number: 38374320GB

Appliance category	
Fridge-freezer	•
Construction type	
Built-in appliance	•
Integrated appliance	•
Door hinge	right
Convertible door hinging	•
Side-by-side enabled	•
Design	
Refrigeration section lighting	FlexiLight
User convenience	
Networking with Miele@home	•
Accessories required	XKS 3130 W
ComfortClean	•
DynaCool	•
NoFrost	•
DuplexCool	•
VarioRoom	•
SoftClose	•
Control system	
Operating concept	TouchControl
Fridge compartment can be switched off	Yes
Independent temperature regulation of fridge and freezer zones	Yes
Automatic SuperCool	•
SuperFreeze	•
No. of temperature zones	2
Sabbath mode	•
Fridge/Fridge section	
No. of shelves	3
of which illuminated	2
Chrome-plated metal bottle rack	•
Number of inner door racks for tinned food	2
Door rack for bottles	1
Door shelves	3
Freezer/Freezer section	
Number of freezer drawers	3
Efficiency and sustainability	
Energy efficiency class (A–G)	F
Annual energy consumption in kWh	280.32
Energy consumption in 24 h in kWh	0.76
Safety	
Lock function	•
Acoustic door alarm	•
Acoustic temperature alarm	•
Optical door alarm	•
Optical temperature alarm	•
Power cut indication for freezer section	•
Technical data	
Niche width in mm min.	560

KFN 37432 iD

Built-in fridge-freezer combination

with more convenience for fridge & freezer with FlexiLight & Frost free



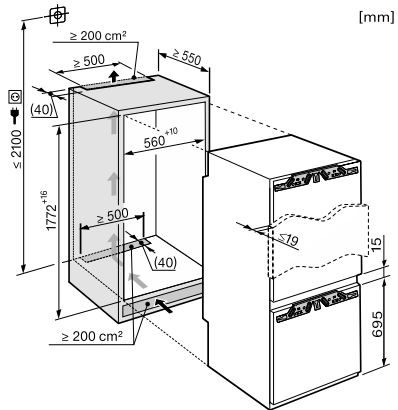
EAN: 4002515234174 / Material number: 09482170 / Old Material Number: 38374320GB

Niche width in mm max.	570
Niche height in mm min.	1772
Niche height in mm max.	1788
Niche depth in mm	550
Appliance width in mm	559
Appliance height in mm	1770
Appliance depth in mm	544
Weight in kg	66.2
Door hinge technology	Fixed door
Max. door front weight – refrigerator, in kg	17
Max. door front weight – freezer, in kg	12
Climate class	SN-T
Refrigerator compartment in l	195
4* freezer compartment in l	68
Total usable capacity in l	263
Storage time in case of fault in h	12
Freezer capacity in kg/24 h	5.26
Acoustic airborne noise emission class (A–D)	C
Sound emissions in dB(A) re 1 pW	38
Current consumption (mA)	1400
Voltage in V	220-240
Fuse rating in A	13
Number of phases	1
Frequency in Hz	50
Length of supply lead in m	2.1
Replacing lamps	Service
Accessories included	
Butter dish	•
Egg tray	•
Ice packs	•
Ice cube tray	•

KFN 37432 iD

Built-in fridge-freezer combination

with more convenience for fridge & freezer with FlexiLight & Frost free



KDN37232iD, KF37233iD, KFN37432iD, KFN37452iDE,
KFNS37432iD, KFN37433iD, KFN37282iD, KFN37682iD
(installatin drawings)