

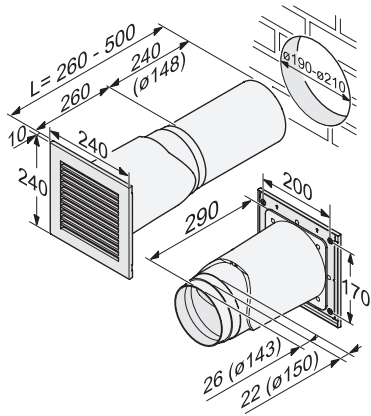
DMK 150
Wall box
for extraction.

EAN: 4002515082683 / Material number: 09162280 / Old Material Number: 28996312D



- Wall vent kit, Ø 150 mm, for venting cooker hoods
- Heat insulating – cold air cannot enter ducting
- Energy – blower door tested, suitable for energy-saving houses

DMK 150
Wall box
for extraction.



DMK150, DMK150-1 wall vent kit (installation drawing)