

KWT 4154 UG-1

Built-under wine conditioning unit

Active charcoal filter & Dynamic cooling for best storage conditions in 2 zones.



- Best storage conditions thanks to precise temperature regulation
- Odourless refrigeration section thanks to Active AirClean filters
- Present your wine in the perfect light – LED lighting
- Optimum wine protection through UV filters in tinted glass front
- Secure storage of wine bottles with pull-out racks

EAN: 4002514149189 / Material number: 06804120 /
Old Material Number: 36415403EU1

General information	
Model identifier	KWT 4154 UG-1
Manufacturer material number	06804120
EAN number	4002514149189
Marketing class	Platinum
Appliance category	
Wine conditioning unit	•
Construction type	
Undercounter appliance	•
Door hinge	right
Convertible door hinging	•
Design	
Casing colour	Stainless Steel
Front colour	Glass door/handle
Wine compartment lighting	LED illumination
User convenience	
DynaCool	•
Active AirClean Filter	•
Ice/Water dispenser with mains water connection	No
Number of shelves	3
Control system	
Operating concept	ComfortControl
Fridge compartment can be switched off	No
No. of temperature zones	2
Min. temperature setting range in °C	5
Safety	
Lock function	•
Acoustic door alarm	•
Acoustic temperature alarm	•
Technical data	
Niche width in mm min.	600
Niche width in mm max.	600
Niche height in mm min.	820
Niche height in mm max.	870
Niche depth in mm	580
Appliance width in mm	597
Appliance height in mm	817
Appliance depth in mm	575
Weight in kg	52.0
Climate range	SN-ST
Wine compartment in l	126
Of which pantry compartment in l	126
0.75 l Bordeaux bottle capacity (no. of bottles)	38 Flaschen
Storage time in case of fault in h	0
Current consumption (mA)	800
Voltage in V	220-240
Fuse rating in A	10
Number of phases	1

KWT 4154 UG-1

Built-under wine conditioning unit

Active charcoal filter & Dynamic cooling for best storage conditions in 2 zones.



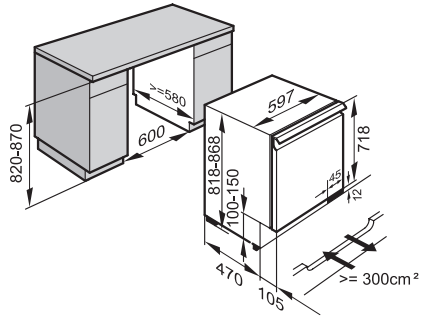
EAN: 4002514149189 / Material number: 06804120 /
Old Material Number: 36415403EU1

Frequency in Hz	50
Length of supply lead in m	2.4

KWT 4154 UG-1

Built-under wine conditioning unit

Active charcoal filter & Dynamic cooling for best storage conditions in 2 zones.



KWT4154UG, KWT4154UG-1 (Sketch)

Footnote: , *If the neighbouring kitchen unit doors are taller than the wine cooler door, the wine cooler can be aligned to the unit doors using a filler panel.