

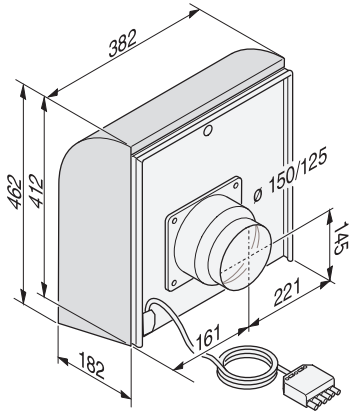
AWG 102
External motor
for installation on outside wall.

EAN: 4002513899177 / Material number: 06527310 / Old Material Number: 28996197GB



- Relocates fan to outside kitchen
- Single-sided radial fan
- Exhaust duct 125/150 mm diameter
- Fan connection to the hood via connector plug
- Fan power: Unrestricted air throughput 280-900 m³/h

AWG 102
External motor
for installation on outside wall.



AWG102 (Installation drawing)