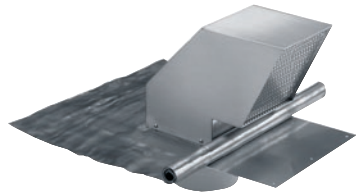


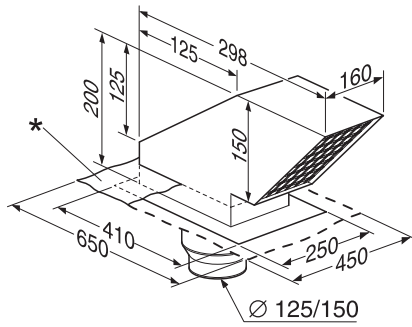
DDF 125  
Roof vent  
for extraction.



EAN: 4002512093200 / Material number: 04623200 / Old Material Number: 28996072D

- For a roof pitch > 22° and all roof tiles, Ø 125/150 mm"
- Robust – stainless steel housing with frame
- Clever – air discharges downwards, incl. Non-return flap
- Extraction ducting Ø 150 mm

DDF 125  
Roof vent  
for extraction.



DDF125/150