

## KM 8595-2 FL MattFinish

Induction hob with onset controls

936 mm | PowerFlex cooking areas | M Sense ready | MattFinish



- Resistant matt surface for a sophisticated kitchen design – MattFinish
- 6 cooking zones incl. 3 powerful PowerFlex cooking areas
- Precise settings via 6 MultiSlide sliders including intelligent networking
- Prepared for cooking and frying assistance with M Sense cookware – M Sense ready
- A width of 936 mm for surface-mounted or flush-fit installation
- Shortest heat-up times thanks to Booster level

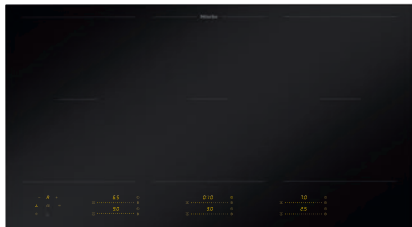
EAN: 4002516972952 / Material number: 12948220 /  
Old Material Number: 26185955GB

General information	
Model identifier	KM 8595-2 FL MattFinish
Manufacturer material number	12948220
EAN number	4002516972952
Marketing class	Gold
Heating type	
Heating type	Induction
Construction type	
Independent of cooker	•
Design	
Elegant glass ceramic surface	•
Ceramic surface colour	Matt black
Scratch-resistant surface	MattFinish
Flush	•
Surface-mounted installation	•
Cooking zone details	
Number of cooking zones	6
Number of cooking areas	3
Maximum number of pans	6
PowerFlex cooking zones	
No.	6
Type	PowerFlex cooking zone
Size in mm	Ø 120 – 230
Max. rating in W	2100
Max. Booster power rating in W	3650
1st cooking zone/cooking area	
Position	Left
Type	PowerFlex bridge
Size in mm	230x390
Max. rating in W	4200
Max. Booster power rating in W	7360
2nd cooking zone/cooking area	
Position	Centred
Type	PowerFlex bridge
Size in mm	230x390
Max. rating in W	4200
Max. Booster power rating in W	7360
3rd cooking zone/cooking area	
Position	right
Type	PowerFlex bridge
Size in mm	230x390
Max. rating in W	3400
Max. Booster power rating in W	3650
User convenience	
Networking with Miele@home	•
Con@ctivity	•
Pan and pan size recognition	•
M Sense ready	•

KM 8595-2 FL MattFinish

Induction hob with onset controls

936 mm | PowerFlex cooking areas | M Sense ready | MattFinish



EAN: 4002516972952 / Material number: 12948220 /

Old Material Number: 26185955GB

Operation via sensor controls	MultiSlide
Display colour	Yellow
Intelligent pan recognition	•
Stop & Go function	•
Wipe protection	•
Recall function	•
Minute minder	•
Safety switch-off	•
Auto heat-up	•
Keeping warm	•
Individual setting options (e.g. buzzers)	•
Assistance programmes	•
<b>Efficiency and sustainability</b>	
Power rating in off mode in W	0.3
Power rating in standby mode in W	0.8
Power rating in networked standby in W	2.0
Time until automatic switch to off mode in min	10
Time until automatic switch to standby in min	10
Time until automatic switch to networked standby in min	10
<b>Cleaning and care</b>	
Easy to clean ceramic glass	•
<b>Safety</b>	
Safety switch-off	•
Lock function	•
System lock	•
Integrated cooling fan	•
Overheating protection	•
Residual heat indicator	•
<b>Technical data</b>	
Dimensions (H x W x D) in mm	51 x 936 x 520
Dimensions (W x D) in mm	936 x 51 x 520
Dimensions in mm (width)	936
Dimensions in mm (height)	51
Dimensions in mm (depth)	520
Cut-out dimensions (W x D) with surface-mounted installation in mm	916 mm x 500 mm
Cut-out dimensions (W x D) with flush-fit installation in mm	916/940 x 500/524
Casing height incl. connection box in mm	51
Cutout dimensions in mm (width) with surface-mounted installation	916 mm
Cutout dimensions in mm (depth) with surface-mounted installation	500 mm
Internal cutout dimensions in mm (width) with flush installation	916
Internal cutout dimensions in mm (depth) with flush installation	500
Weight in kg	16
External cutout dimensions in mm (width) with flush installation	940

KM 8595-2 FL MattFinish

Induction hob with onset controls

936 mm | PowerFlex cooking areas | M Sense ready | MattFinish



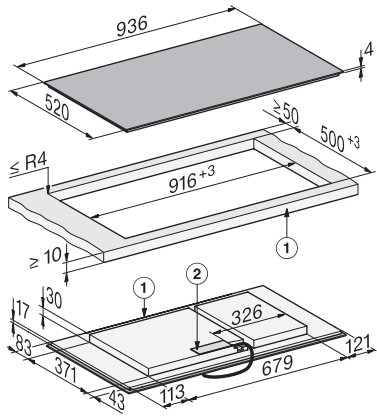
EAN: 4002516972952 / Material number: 12948220 /  
Old Material Number: 26185955GB

External cutout dimensions in mm (depth) with flush installation	524
Total rated load in kW	9.20
Length of supply lead in m	1.6
Voltage in V	230
Frequency in Hz	50-60
<b>Accessories included</b>	
Mains cable	Yes

## KM 8595-2 FL MattFinish

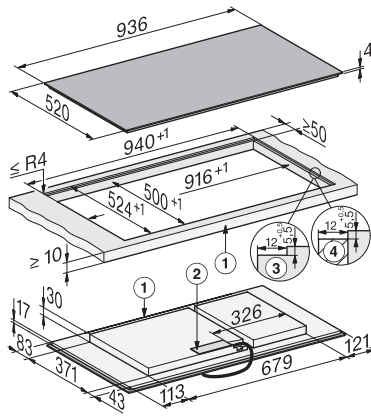
Induction hob with onset controls

936 mm | PowerFlex cooking areas | M Sense ready | MattFinish



KM8595FL, KM8595FL MattFinish, KM8595-2FL, KM8595-2FL MattFinish, surface-mounted (\*Fußnote) Installation drawing

1) front, 2) Mains connection box, The mains connection cable (L = 1440 mm) is enclosed loose



KM8595FL, KM8595FL MattFinish, KM8595-2FL, KM8595-2FL MattFinish, flush (\*Fußnote) (Installation drawing)

1) front, 2) Mains connection box, The mains connection cable (L = 1440 mm) is enclosed loosely, 3) Step milling natural stone worktop, 4) Wooden strip 12 mm (no supplied accessories)