

KM 8575 FL

Induction hob with onset controls

916 mm | panorama design | PowerFlex cooking areas | M Sense ready



- 4 cooking zones incl. 2 powerful PowerFlex cooking areas
- Precise settings via 6 MultiSlide sliders including intelligent networking
- Prepared for cooking and frying assistance with M Sense cookware – M Sense ready
- Shortest heat-up times thanks to Booster level
- In 916 mm width and panorama design for flush-fit or surface-mounted installation

EAN: 4002516972945 / Material number: 12944700 /
Old Material Number: 26185751GB

General information	
Model identifier	KM 8575 FL
Manufacturer material number	12944700
EAN number	4002516972945
Marketing class	Gold
Heating type	
Heating type	Induction
Construction type	
Independent of cooker	•
Design	
Elegant glass ceramic surface	•
Ceramic surface colour	Black
Flush	•
Surface-mounted installation	•
Cooking zone details	
Number of cooking zones	4
Number of cooking areas	2
Maximum number of pans	4
PowerFlex cooking zones	
No.	4
Type	PowerFlex cooking zone
Size in mm	Ø 120 – 230
Max. rating in W	2100
Max. Booster power rating in W	3650
1st cooking zone/cooking area	
Position	Left
Type	PowerFlex bridge
Size in mm	250x390
Max. rating in W	4200
Max. Booster power rating in W	7360
2nd cooking zone/cooking area	
Position	right
Type	PowerFlex bridge
Size in mm	250x390
Max. rating in W	4200
Max. Booster power rating in W	7360
User convenience	
Networking with Miele@home	•
Con@ctivity	•
Pan and pan size recognition	•
M Sense ready	•
Operation via sensor controls	MultiSlide
Display colour	Yellow
Intelligent pan recognition	•
Stop & Go function	•
Wipe protection	•
Recall function	•
Minute minder	•

KM 8575 FL

Induction hob with onset controls

916 mm | panorama design | PowerFlex cooking areas | M Sense ready



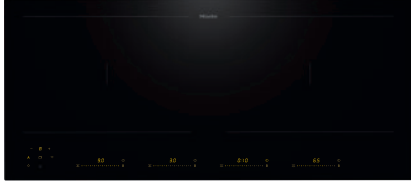
EAN: 4002516972945 / Material number: 12944700 /
Old Material Number: 26185751GB

Safety switch-off	•
Auto heat-up	•
Keeping warm	•
Individual setting options (e.g. buzzers)	•
Assistance programmes	•
Efficiency and sustainability	
Power rating in off mode in W	0.3
Power rating in standby mode in W	0.8
Power rating in networked standby in W	2.0
Time until automatic switch to off mode in min	10
Time until automatic switch to standby in min	10
Time until automatic switch to networked standby in min	10
Cleaning and care	
Easy to clean ceramic glass	•
Safety	
Safety switch-off	•
Lock function	•
System lock	•
Integrated cooling fan	•
Overheating protection	•
Residual heat indicator	•
Technical data	
Dimensions (H x W x D) in mm	51 x 916 x 408
Dimensions (W x D) in mm	916 x 51 x 408
Dimensions in mm (width)	916
Dimensions in mm (height)	51
Dimensions in mm (depth)	408
Cut-out dimensions (W x D) with surface-mounted installation in mm	886 mm – 896 mm x 386 mm – 388 mm
Cut-out dimensions (W x D) with flush-fit installation in mm	896/920 x 388/412
Casing height incl. connection box in mm	51
Cutout dimensions in mm (width) with surface-mounted installation	886 mm – 896 mm
Cutout dimensions in mm (depth) with surface-mounted installation	386 mm – 388 mm
Internal cutout dimensions in mm (width) with flush installation	896
Internal cutout dimensions in mm (depth) with flush installation	388
Weight in kg	12
External cutout dimensions in mm (width) with flush installation	920
External cutout dimensions in mm (depth) with flush installation	412
Total rated load in kW	7.36
Length of supply lead in m	1.6
Voltage in V	230
Frequency in Hz	50-60

KM 8575 FL

Induction hob with onset controls

916 mm | panorama design | PowerFlex cooking areas | M Sense ready



EAN: 4002516972945 / Material number: 12944700 /
Old Material Number: 26185751GB

Accessories included

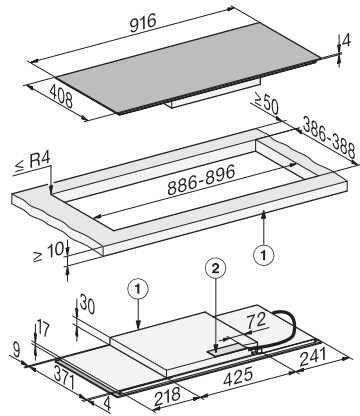
Mains cable

Yes

KM 8575 FL

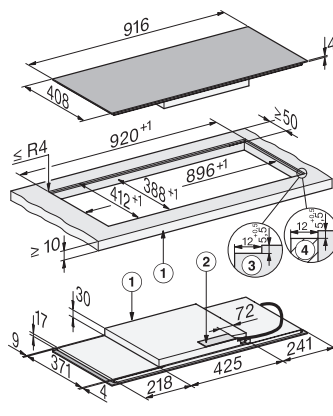
Induction hob with onset controls

916 mm | panorama design | PowerFlex cooking areas | M Sense ready



KM8575FL surface-mounted (*Fußnote) Installation drawing

1) front, 2) Mains connection box, The mains connection cable (L = 1440 mm) is enclosed loose



KM8575FL flush (*Fußnote) (Installation drawing)

1) front, 2) Mains connection box, The mains connection cable (L = 1440 mm) is enclosed loosely, 3) Step milling natural stone worktop, 4) Wooden strip 12 mm (no supplied accessories)