

WEJ885 WCS PWash&TDos&Steam

W1 front-loader washing machine:

A -20 %* | 9 kg | 1600 rpm | Auto. dispensing | QuickPowerWash | Virus hygiene



- Tested for 20 years of perfect laundry care*
- Save even more energy with A -20 %**
- Precise and automatic detergent dispensing with TwinDos®***
- QuickPowerWash ensures fast, efficient results in just 49 minutes****
- Virus hygiene eliminates 99.9 %*****
- of potential viruses from your laundry

* During the development phase of the W1 washing machine series, Miele tested models and core components in 5000 wash loads (= 5 wash loads per week for 50 weeks per year) in various programmes. More: [miele.com/20years](https://www.miele.com/20years)

** 20 % more economical than the threshold value (52) for energy efficiency class A.

*** Patent EP 2 784 205

**** This applies to all Miele washing machines that enable the process and machine-related parameters presented in the summary of the WL 1110/18 test report to be implemented.

***** Tested by Albstadt-Sigmaringen University and awarded the gold label by the Institute for Integrative Hygiene and Virology (InFluenc_H). Applies to all models with TwinDos® and PowerWash in the Cottons hygiene 60 °C programme with the Hygiene plus Extra. A description of the relevant methodology can be found at the following link: <https://www.miele.com/wa-c>



EAN: 4002516881858 / Material number: 12774970 / Old Material Number: 11EJ8855GB

Construction type	
Suitable for stacking	•
Side-by-side	•
Slot-in	•
Can be built-under	•
Door hinge	right
Model	
Product brand	W1 Chrome Edition
Front-loader	•
Spinning	
Max. spin speed	1600
Rinse hold	•
Without spin function	•
Design	
Appliance colour	Lotus white
Control panel colour	Lotus white
Door design	Chrome
Rotary selector colour	Lotus White / Chrome ring
Control panel version	Straight
Control type	Rotary control
Display	ComfortSensor white, 1 line
Cleaning performance	
Innovative PowerWash technology	•
TwinDos automatic detergent dispensing	•
CapDosing portioned dispensing	•
Stains option	•
Certified virus hygiene	•
Gentle laundry care	
Honeycomb drum	•
Load in kg	9.0
User convenience	
Networking with Miele@home	•
Delay start up to 24 hours	•
Time left display	•
Programme sequence indicator	•
Drum lighting	LED
MultiLingua	•
AutoClean detergent drawer	•
AddLoad	•
Efficiency and sustainability	
Energy efficiency class (A–G)	A
More economical than the threshold value (52) for energy efficiency class A	20%
Weighted energy consumption per 100 operating cycles for the wash cycle in kWh	40
Weighted water consumption per cycle in l	50
Spin efficiency class (A–G)	A
Acoustic airborne noise emission class (spin cycle; A–D)	A

WEJ885 WCS PWash&TDos&Steam

W1 front-loader washing machine:

A -20 %* | 9 kg | 1600 rpm | Auto. dispensing | QuickPowerWash | Virus hygiene



EAN: 4002516881858 / Material number: 12774970 / Old Material Number: 11EJ8855GB

Sound emissions during spin cycle in dB(A) re 1 pW	68
Duration of the "ECO 40-60" programme at nominal capacity	229
Power rating in off mode in W	0.40
Power rating in networked standby in W	0.80
EcoFeedback	•
Low temperature wash "Cold" and "20 °C"	•
Automatic load control	•
Flow meter	•
Foam sensing	•
ProfiEco motor	•
Wash programmes	
QuickPowerWash	•
Automatic plus	•
Cottons (coloureds)	•
Minimum iron	•
Delicates	•
Shirts	•
Silk (hand-washable)	•
Woollens (hand-washable)	•
Express 20	•
Dark garments / Denim	•
Outerwear	•
Proofing	•
Sportswear	•
Down duvets	•
Pillows	•
Down	•
Curtains	•
Cottons hygiene	•
Freshen up (steam)	•
Steam care	•
Clean machine	•
First wash	•
Separate rinse/Starch	•
Drain / Spin	•
ECO 40-60	•
Washing extras	
SingleWash	•
Short	•
Soak	•
Pre-wash	•
Water plus	•
Additional rinse cycle	•
Pre-ironing with steam	•
Buzzer	•
AllergoWash	•
Safety	
Water protection system	Watercontrol-System

WEJ885 WCS PWash&TDos&Steam

W1 front-loader washing machine:

A -20 %* | 9 kg | 1600 rpm | Auto. dispensing | QuickPowerWash | Virus hygiene



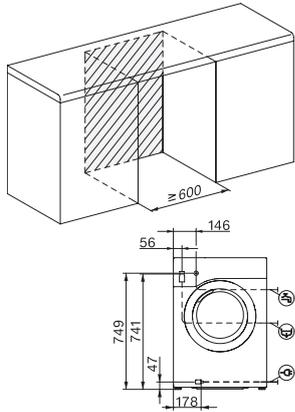
EAN: 4002516881858 / Material number: 12774970 / Old Material Number: 11EJ8855GB

Safety lock	•
PIN-Code	•
Optical interface	•
Technical data	
Dimensions in mm (width)	596
Dimensions in mm (height)	850
Dimensions in mm (depth)	636
Appliance depth in mm with opened door	1054
Appliance depth excluding door (for building-under) in mm	600
Weight in kg	95
Total rated load in kW	2.10-2.40
Voltage in V	220-240
Fuse rating in A	13
Frequency in Hz	50
Length of water inlet hose in m	1.60
Length of water drain hose in m	1.50
Length of supply lead in m	2
Replacing lamps	Service
Accessories included	
3 Caps	•
UltraPhase 1 + 2	•
Voucher for 5 Miele UltraPhase cartridges	•
Available display languages	
Available display languages via MultiLingua	deutsch, english (GB), français (FR), hrvatski, italiano, magyar, nederlands, polski, română, slovenščina, srpski, türkçe, ελληνικά

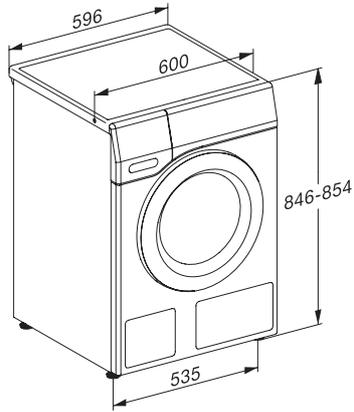
WEJ885 WCS PWash&TDos&Steam

W1 front-loader washing machine:

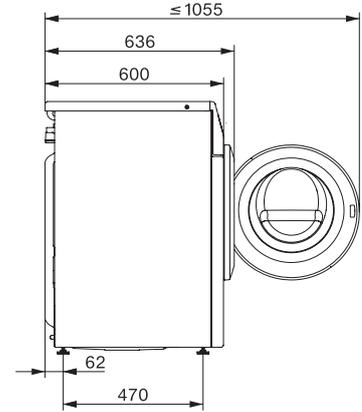
A -20 %* | 9 kg | 1600 rpm | Auto. dispensing | QuickPowerWash | Virus hygiene



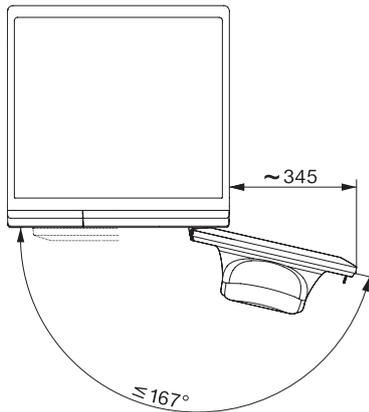
W1 installation drawing, slanted fascia or straight fascia, measures in mm



W1 drawing, slanted fascia or straight fascia, measures in mm



W1 drawing, slanted fascia or straight fascia, measures in mm



W1 drawing, slanted fascia or straight fascia, measures in mm