

## WWJ880 WCS PWash&TDos&Steam W1 front-loader washing machine:



- Tested for 20 years of perfect laundry care
- Save even more energy with A -20 %\*
- Precise and automatic detergent dispensing with TwinDos®
- QuickPowerWash ensures fast, efficient results in just 49 minutes
- Virus hygiene eliminates 99.9 %\*\*
- of potential viruses from your laundry

\* 20 % more economical than the threshold value (52) for energy efficiency class A.

\*\* Tested by Albstadt-Sigmaringen University and awarded the gold label by the Institute for Integrative Hygiene and Virology (InFluenc\_H). Applies to all models with TwinDos® and PowerWash in the Cottons hygiene 60 °C programme with the AllergoWash option. A description of the relevant methodology can be found at the following link: <https://www.miele.com/wa-c>

EAN: 4002516881834 / Material number: 12774950 /  
Old Material Number: 11WJ8805GB

<b>Construction type</b>	
Suitable for stacking	•
Side-by-side	•
Slot-in	•
Door hinge	right
<b>Model</b>	
Product brand	W1 White Edition
Front-loader	•
<b>Spinning</b>	
Max. spin speed	1600
Rinse hold	•
Without spin function	•
<b>Design</b>	
Appliance colour	Lotus white
Control panel colour	Lotus white
Door design	Obsidian black with chrome ring
Rotary selector colour	Lotus White / Chrome ring
Control panel version	5° inclined
Control type	Rotary control
Display	ComfortSensor white, 1 line
<b>Cleaning performance</b>	
Innovative PowerWash technology	•
TwinDos automatic detergent dispensing	•
CapDosing portioned dispensing	•
Stains option	•
Certified virus hygiene	•
<b>Gentle laundry care</b>	
Honeycomb drum	•
Load in kg	9.0
<b>User convenience</b>	
Networking with Miele@home	•
Delay start up to 24 hours	•
Time left display	•
Programme sequence indicator	•
Drum lighting	LED
MultiLingua	•
AutoClean detergent drawer	•
AddLoad	•
<b>Efficiency and sustainability</b>	
More economical than the threshold value (52) for energy efficiency class A	20%
Acoustic airborne noise emission class (spin cycle)	A
Sound emissions during spin cycle in dB(A) re 1 pW	68
Power rating in off mode in W	0.40
Power rating in networked standby in W	0.80
EcoFeedback	•
Low temperature wash "Cold" and "20 °C"	•

WWJ880 WCS PWash&TDos&Steam  
W1 front-loader washing machine:



EAN: 4002516881834 / Material number: 12774950 /  
Old Material Number: 11WJ8805GB

Automatic load control	•
Flow meter	•
Foam sensing	•
ProfiEco motor	•
<b>Wash programmes</b>	
QuickPowerWash	•
Automatic plus	•
Cottons (coloureds)	•
Minimum iron	•
Delicates	•
Shirts	•
Silk (hand-washable)	•
Woollens (hand-washable)	•
Express 20	•
Dark garments / Denim	•
Outerwear	•
Proofing	•
Sportswear	•
Down duvets	•
Pillows	•
Down	•
Curtains	•
Cottons hygiene	•
Freshen up (steam)	•
Steam care	•
Clean machine	•
First wash	•
Separate rinse/Starch	•
Drain / Spin	•
ECO 40-60	•
<b>Washing extras</b>	
SingleWash	•
Short	•
Soak	•
Pre-wash	•
Water plus	•
Additional rinse cycle	•
Pre-ironing with steam	•
Buzzer	•
AllergoWash	•
<b>Safety</b>	
Water protection system	Watercontrol-System
Safety lock	•
PIN-Code	•
Optical interface	•
<b>Technical data</b>	
Dimensions in mm (width)	596
Dimensions in mm (height)	850

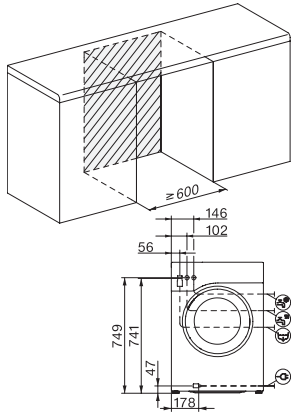
WWJ880 WCS PWash&TDos&Steam  
W1 front-loader washing machine:



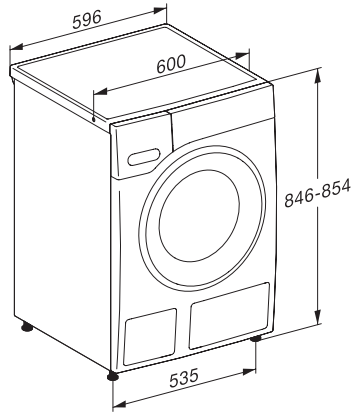
EAN: 4002516881834 / Material number: 12774950 /  
Old Material Number: 11WJ8805GB

Dimensions in mm (depth)	643
Appliance depth in mm with opened door	1077
Weight in kg	94
Total rated load in kW	2.10-2.40
Voltage in V	220-240
Fuse rating in A	13
Frequency in Hz	50
Length of supply lead in m	2
<b>Accessories included</b>	
3 Caps	•
UltraPhase 1 + 2	•
Voucher for 5 Miele UltraPhase cartridges	•
<b>Available display languages</b>	
Available display languages through MultiLingua	dansk, deutsch, english (GB), español, norsk, portuguese, русский, slovenčina, suomi, svenska, українська, čeština

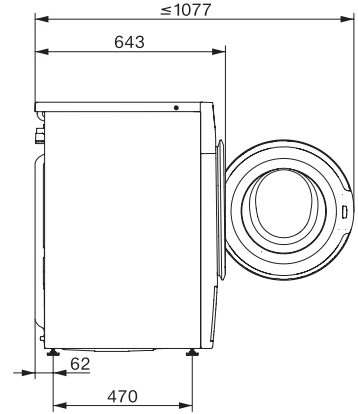
WWJ880 WCS PWash&TDos&Steam  
W1 front-loader washing machine:



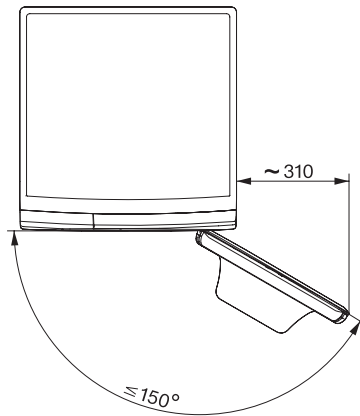
W1 drawing, facia 5 degree, measures in mm



W1 drawing, facia 5 degree, measures in mm



W1 drawing, facia 5 degree, measures in mm



W1 drawing, facia 5 degree, measures in mm